

MICRO COMPONENT SYSTEM MCS-1330 CD PLAYER

CD-1330

SERVICE MANUAL

The MCS-1330 consists of the R-1330, CD-1330 and NS-BP400.

This service manual is for the CD-1330.

For service manual of the R-1330 and NS-BP400, please refer to the following publication number:

R-1330/NS-BP400: 101127

MCS-1330 は、R-1330、CD-1330 および NS-BP400 で構成されています。

このサービスマニュアルは CD-1330 用です。

R-1330、NS-BP400 用のサービスマニュアルは下記管理ナンバーを参照してください。

R-1330/NS-BP400: 101127

IMPORTANT NOTICE

This manual has been provided for the use of authorized YAMAHA Retailers and their service personnel.

It has been assumed that basic service procedures inherent to the industry, and more specifically YAMAHA Products, are already known and understood by the users, and have therefore not been restated.

WARNING: Failure to follow appropriate service and safety procedures when servicing this product may result in personal injury, destruction of expensive components, and failure of the product to perform as specified. For these reasons, we advise all YAMAHA product owners that any service required should be performed by an authorized YAMAHA Retailer or the appointed service representative.

IMPORTANT: The presentation or sale of this manual to any individual or firm does not constitute authorization, certification or recognition of any applicable technical capabilities, or establish a principle-agent relationship of any form.

The data provided is believed to be accurate and applicable to the unit(s) indicated on the cover. The research, engineering, and service departments of YAMAHA are continually striving to improve YAMAHA products. Modifications are, therefore, inevitable and specifications are subject to change without notice or obligation to retrofit. Should any discrepancy appear to exist, please contact the distributor's Service Division.

WARNING: Static discharges can destroy expensive components. Discharge any static electricity your body may have accumulated by grounding yourself to the ground buss in the unit (heavy gauge black wires connect to this buss).

IMPORTANT: Turn the unit OFF during disassembly and part replacement. Recheck all work before you apply power to the unit.

CONTENTS

TO SERVICE PERSONNEL	2-4
PREVENTION OF ELECTROSTATIC DISCHARGE	5
SYSTEM COMPOSITION / システム構成	6
FRONT PANEL	6
REAR PANELS	7-8
SPECIFICATIONS / 参考仕様	9
INTERNAL VIEW	10
DISASSEMBLY PROCEDURES / 分解手順	11-13
TEST MODE / テストモード	14-15
UPDATING FIRMWARE / ファームウェアの書き込み	16-20

DISPLAY DATA	21
IC DATA	22-27
PIN CONNECTION DIAGRAMS	28-29
BLOCK DIAGRAM	31
PRINTED CIRCUIT BOARDS	32-38
SCHEMATIC DIAGRAMS	39-41
REPLACEMENT PARTS LIST	43-53
REMOTE CONTROL	54



このサービスマニュアルは、エコマーク認定の再生紙を使用しています。
This Service Manual uses recycled paper.

101130

Copyright © 2008 YAMAHA CORPORATION All rights reserved.
This manual is copyrighted by YAMAHA and may not be copied or
redistributed either in print or electronically without permission.



YAMAHA

YAMAHA CORPORATION
P.O.Box 1, Hamamatsu, Japan
animate '08.11

■ TO SERVICE PERSONNEL

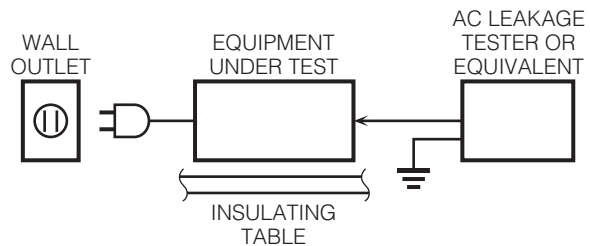
1. Critical Components Information

Components having special characteristics are marked Δ and must be replaced with parts having specifications equal to those originally installed.

2. Leakage Current Measurement (For 120V Models Only)

When service has been completed, it is imperative to verify that all exposed conductive surfaces are properly insulated from supply circuits.

- Meter impedance should be equivalent to 1500 ohms shunted by 0.15 μ F.



- Leakage current must not exceed 0.5mA.
- Be sure to test for leakage with the AC plug in both polarities.

WARNING: CHEMICAL CONTENT NOTICE!

This product contains chemicals known to the State of California to cause cancer, or birth defects or other reproductive harm.

DO NOT PLACE SOLDER, ELECTRICAL/ELECTRONIC OR PLASTIC COMPONENTS IN YOUR MOUTH FOR ANY REASON WHATSOEVER!

Avoid prolonged, unprotected contact between solder and your skin! When soldering, do not inhale solder fumes or expose eyes to solder/flux vapor!

If you come in contact with solder or components located inside the enclosure of this product, wash your hands before handling food.

About lead free solder / 無鉛ハンダについて

All of the P.C.B.s installed in this unit and solder joints are soldered using the lead free solder.

Among some types of lead free solder currently available, it is recommended to use one of the following types for the repair work.

- Sn + Ag + Cu (tin + silver + copper)
- Sn + Cu (tin + copper)
- Sn + Zn + Bi (tin + zinc + bismuth)

Caution:

As the melting point temperature of the lead free solder is about 30°C to 40°C (50°F to 70°F) higher than that of the lead solder, be sure to use a soldering iron suitable to each solder.

本機に搭載されているすべての基板およびハンダ付けによる接合部は無鉛ハンダでハンダ付けされています。

無鉛ハンダにはいくつかの種類がありますが、修理時には下記のような無鉛ハンダの使用を推奨します。

- Sn+Ag+Cu (錫 + 銀 + 銅)
- Sn+Cu (錫 + 銅)
- Sn+Zn+Bi (錫 + 亜鉛 + ビスマス)

注意：

無鉛ハンダの融点温度は通常の鉛入りハンダに比べ 30 ~ 40°C程度高くなっていますので、それぞれのハンダに合ったハンダごてをご使用ください。

WARNING: Laser Safety

This product contains a laser beam component. This component may emit invisible, as well as visible radiation, which may cause eye damage. To protect your eyes and skin from laser radiation, the following precautions must be used during servicing of the unit.

- 1) When testing and/or repairing any component within the product, keep your eyes and skin more than 30 cm/1 feet away from the laser pick-up unit at all times. Do not stare at the laser beam at any time.
- 2) Do not attempt to readjust, disassemble or repair the laser pick-up, unless noted elsewhere in this manual.
- 3) CAUTION: Use of controls, adjustments or performance of procedures other than those specified herein may result in hazardous radiation exposure.

Laser Emitting conditions:

- 1) When the Top Cover is removed, and the STANDBY/ON SW is turned to the "ON" position, the laser component will emit a beam for several seconds to detect if a disc is present. During this time (5-10 sec.) the laser may radiate through the lens of the laser pick-up unit. Do not attempt any servicing during this period!
If no disc is detected, the laser will stop emitting the beam. When a disc is loaded, you will not be exposed to any laser emissions.
- 2) The laser power level can be adjusted with the VR on the pick-up PWB, however, this level has been set by the factory prior to shipping from the factory. Do not adjust this laser level control unless instruction is provided elsewhere in this manual. Adjustment of this control can increase the laser emission level from the device.

Laser Diode Properties

Material:	GaAlAs
Wavelength:	795 nm
Emission Duration:	continuous
Laser Output:	max. 160 μ W *

* This output is the value measured at a distance of about 200 mm from the objective lens surface on the Optical Pick-up Block.

警告：レーザーの安全対策

本機はレーザー光線を放射する部品を搭載しています。この部品が放射するレーザー光線は目に損傷を起こします。このレーザー光線から目及び肌を保護するために、本機の修理作業中は下記の注意を厳守してください。

- 1) テスト時または修理時、目及び肌を光ピックアップから 30 cm 以上離してください。いかなる場合もレーザー光線を見つめないでください。
- 2) 光ピックアップの再調整及び分解はしないでください。
- 3) このマニュアル上で指定されている以外の制御、調整、手順はレーザー光線を照射される結果を招く恐れがあります。

レーザー放射条件

- 1) トップカバーを取り外し STANDBY/ON スイッチを ON にすると、ディスク検知のため 5～10 秒間、光ピックアップからレーザー光線が放射されます。この間、修理はしないでください。
ディスクが検知されなければ、レーザー光線の放射は停止します。ディスクがセットされている場合、ディスクで遮られるのでレーザー光線は修理担当者に届きません。
- 2) レーザーパワーレベルは光ピックアップ基板上の VR により調整可能ですが、工場出荷前に調整セット済みなので、この VR は廻さないでください。この VR を廻すと装置からのレーザー光線の放射レベルが上がる恐れがあります。

レーザー

レーザータイプ:	GaAlAs
波長:	795 nm
レーザー出力:	最大 160 μ W

CAUTION

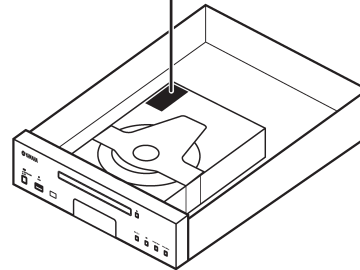
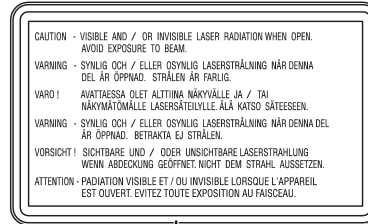
Use of controls or adjustments or performance of procedures other than those specified herein may result in hazardous radiation exposure.

T model



U, K, A, G models

L model



CAUTION - VISIBLE AND / OR INVISIBLE LASER RADIATION WHEN OPEN. AVOID EXPOSURE TO BEAM.

Warning for power supply

The primary side of the power supply carries live mains voltage when the player is connected to the mains even when the player is switched off !

This primary area is not shielded so it is possible to accidentally touch copper tracks and/or components when servicing the player.

Service personnel have to take precautions to prevent touching this area or components in this area.

Note:

The screws on the DVD mechanism may never be touched, removed or re-adjusted.

Handle the DVD mechanism with care when the unit has to be exchanged!

The DVD mechanism is very sensitive for dropping or giving shocks.

■ PREVENTION OF ELECTROSTATIC DISCHARGE

Some semiconductor (solid state) devices can be damaged easily by static electricity. Such components commonly are called Electrostatically Sensitive (ES) Devices. Examples of typical ES devices are integrated circuits and some field-effect transistors and semiconductor “chip” components. The following techniques should be used to help reduce the incidence of component damage caused by electro static discharge (ESD).

1. Immediately before handling any semiconductor component or semiconductor-equipped assembly, drain off any ESD on your body by touching a known earth ground. Alternatively, obtain and wear a commercially available discharging ESD wrist strap, which should be removed for potential shock reasons prior to applying power to the unit under test.
2. After removing an electrical assembly equipped with ES devices, place the assembly on a conductive surface such as aluminum foil, to prevent electrostatic charge buildup or exposure of the assembly.
3. Use only a grounded-tip soldering iron to solder or unsolder ES devices.
4. Use only an anti-static solder removal device. Some solder removal devices not classified as “anti-static (ESD protected)” can generate electrical charge sufficient to damage ES devices.
5. Do not use freon-propelled chemicals. These can generate electrical charges sufficient to damage ES devices.
6. Do not remove a replacement ES device from its protective package until immediately before you are ready to install it. (Most replacement ES devices are packaged with leads electrically shorted together by conductive foam, aluminum foil or comparable conductive material).
7. Immediately before removing the protective material from the leads of a replacement ES device, touch the protective material to the chassis or circuit assembly into which the device will be installed.

CAUTION: Be sure no power is applied to the chassis or circuit, and observe all other safety precautions.

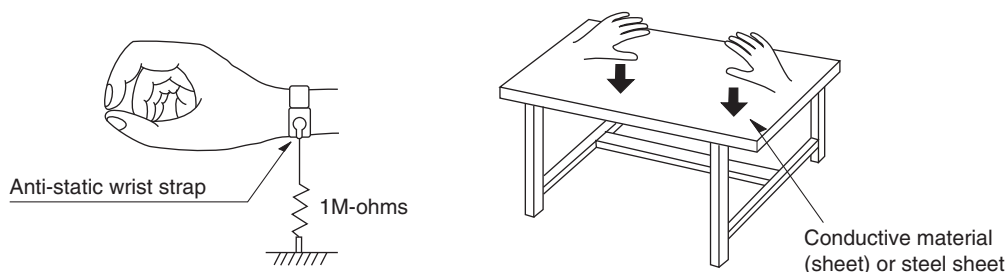
8. Minimize bodily motions when handling unpackaged replacement ES devices. (Otherwise harmless motion such as brushing together of your fabric clothes or lifting of your foot from a carpeted floor can generate static electricity (ESD) sufficient to damage an ES device).

Grounding for electrostatic breakdown prevention

1. Human body grounding.
Use the antistatic wrist strap to discharge the static electricity from your body.
2. Work table grounding.
Put a conductive material (sheet) or steel sheet on the area where the optical pickup is placed and ground the sheet.

Caution:

The static electricity of your clothes will not be grounded through the wrist strap. So take care not to let your clothes touch the optical pickup.

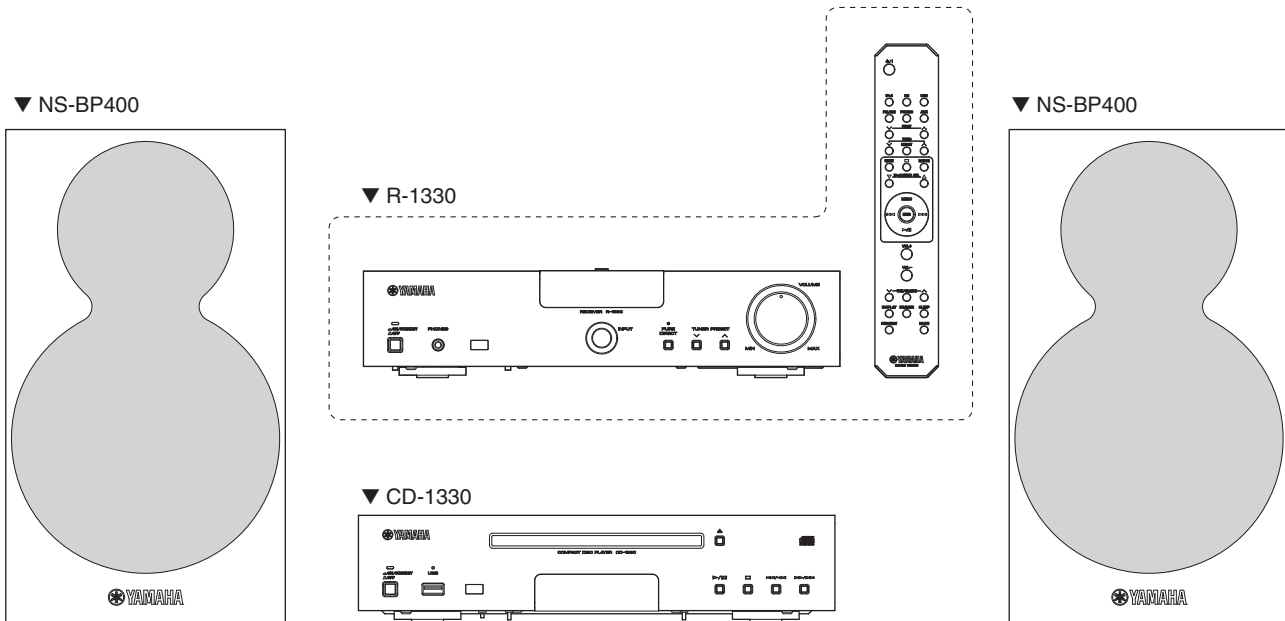


SYSTEM COMPOSITION / システム構成

The MCS-1330 consists of the R-1330, CD-1330 and NS-BP400.

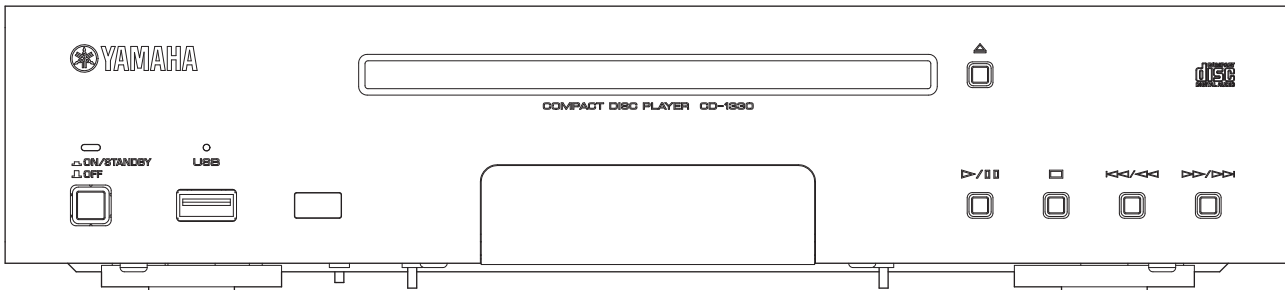
MCS-1330 は、R-1330、CD-1330 および NS-BP400 で構成されています。

MCS-1330



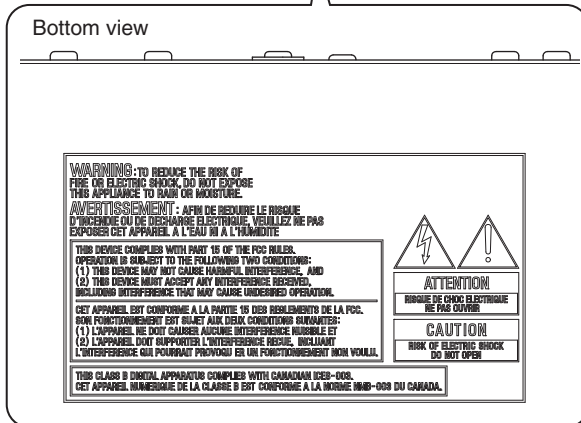
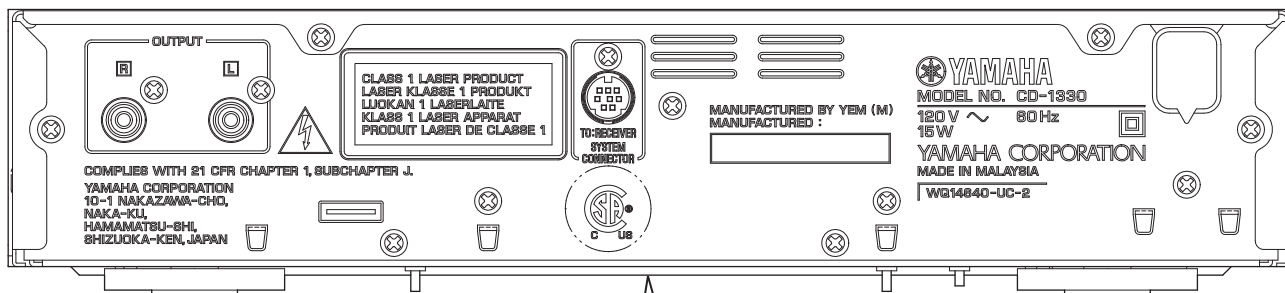
FRONT PANEL

CD-1330 (U, T, K, A, G, L, J models)

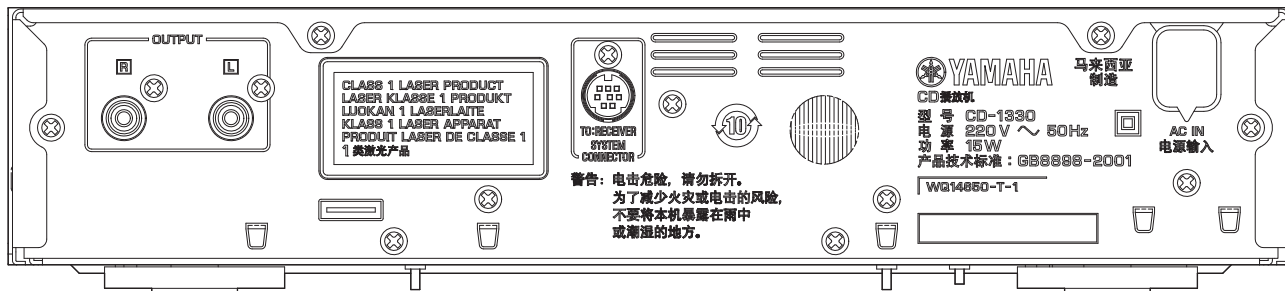


REAR PANELS

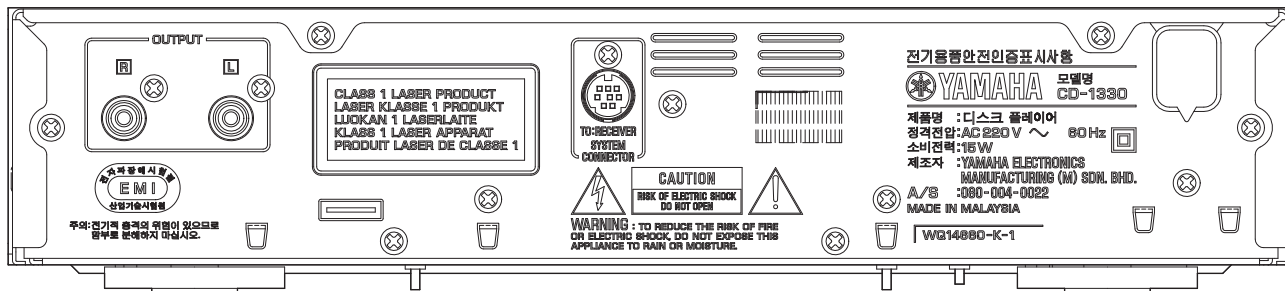
CD-1330 (U model)



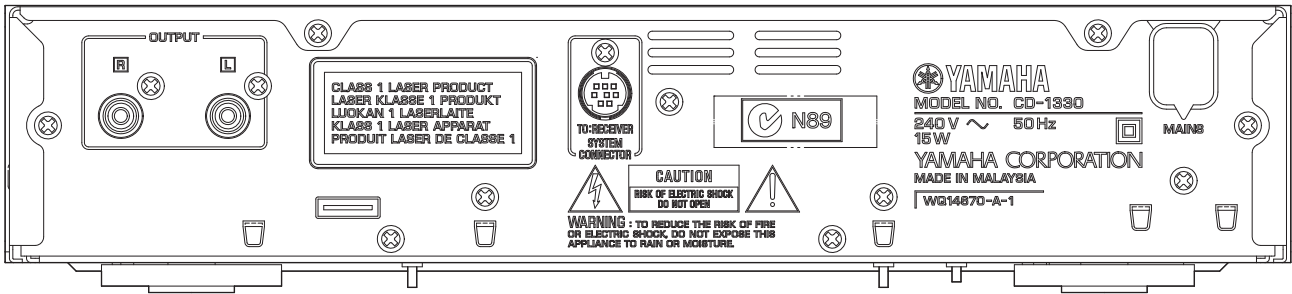
CD-1330 (T model)



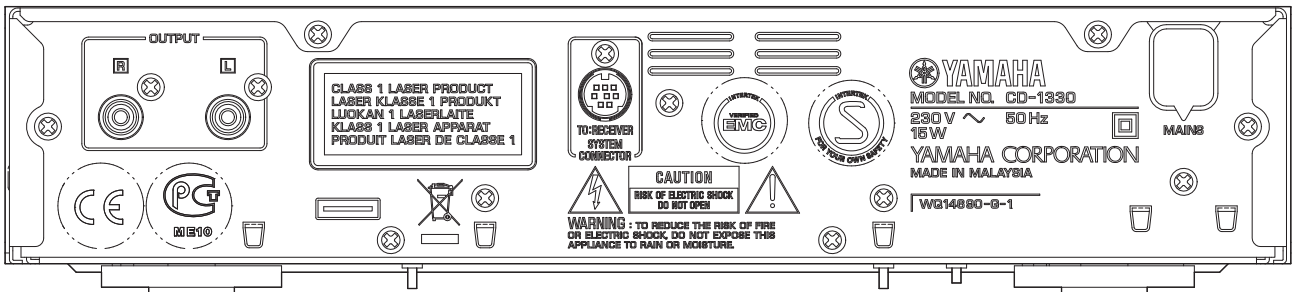
CD-1330 (K model)



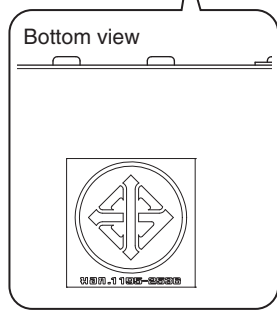
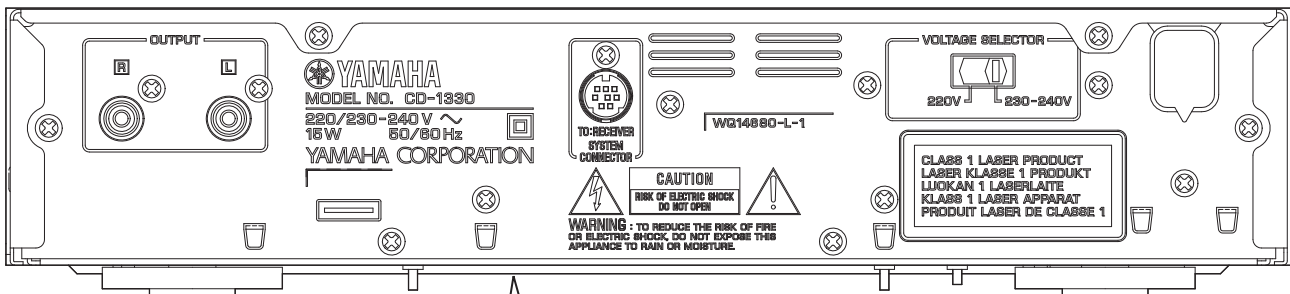
CD-1330 (A model)



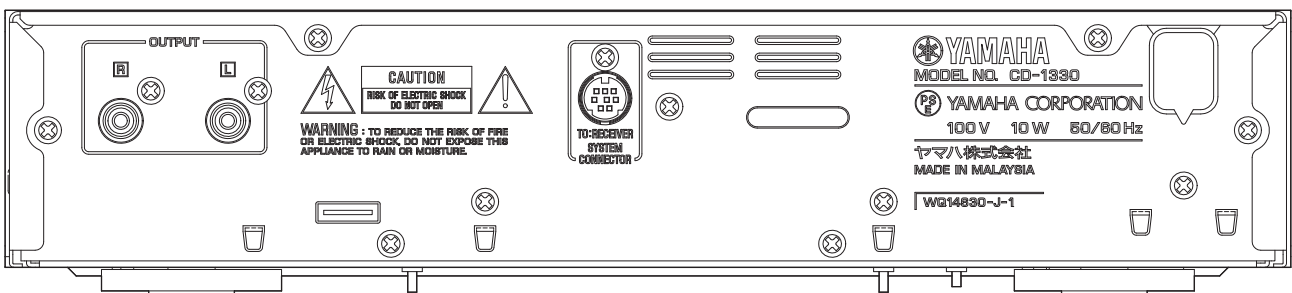
CD-1330 (G model)



CD-1330 (L model)



CD-1330 (J model)



■ SPECIFICATIONS / 参考仕様

■ Player Section / プレーヤー部

Playback System / 再生システム

..... CD, CD-R/RW

■ Audio Section / オーディオ部

Output Level / 出力レベル (1 kHz, 0 dB)

..... 2 ±0.3 V

Signal to Noise Ratio / 信号対雑音比

..... 105 dB or more

Dynamic Range / ダイナミックレンジ

..... 100 dB or more

Harmonic Distortion / 歪率 (1 kHz)

..... 0.003 % or less

Frequency Response / 周波数特性

..... 2 Hz to 20 kHz

Other Output Equipment / その他の出力端子

..... System control-terminal

■ General / 総合

Power Consumption / 消費電力

U, T, K, A, G, L models 15 W

J model 10 W

Power Supply / 電源電圧

U model AC 120 V, 60 Hz

T model AC 220 V, 50 Hz

K model AC 220 V, 60 Hz

A model AC 240 V, 50 Hz

G model AC 230 V, 50 Hz

L model AC 220/230-240 V, 50/60 Hz

J model AC 100 V, 50/60 Hz

Dimensions (W x H x D) / 寸法 (幅 × 高さ × 奥行き)

..... 300 x 67 x 300 mm (11-3/4" x 2-5/8" x 11-3/4")

Weight / 質量

..... 3.8 kg (8 lbs. 5 oz.)

Finish / 仕上げ

Black color U, T, K, A, G, L, J models

Silver color U, T, K, A, G, L, J models

Accessories / 付属品

Audio pin cable (1.0 m) x 1

Mini pin cable (0.6 m) x 1

* Specifications are subject to change without notice due to product improvements.

※ 参考仕様および外観は予告なく変更されることがあります。

U U.S.A. model G European model

T Chinese model L Singapore model

K Korean model J Japanese model

A Australian model

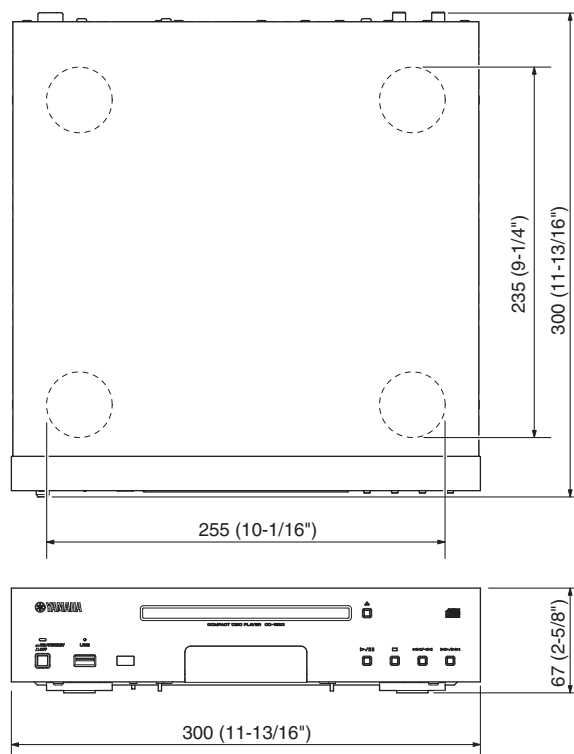
MPEG Layer-3 audio decoding technology licensed from Fraunhofer IIS and Thomson Multimedia.

iPod™

"iPod" is a trademark of Apple Inc., registered in the U.S. and other countries.

iPod は、米国およびその他の国々で登録された Apple Inc. の商標または登録商標です。

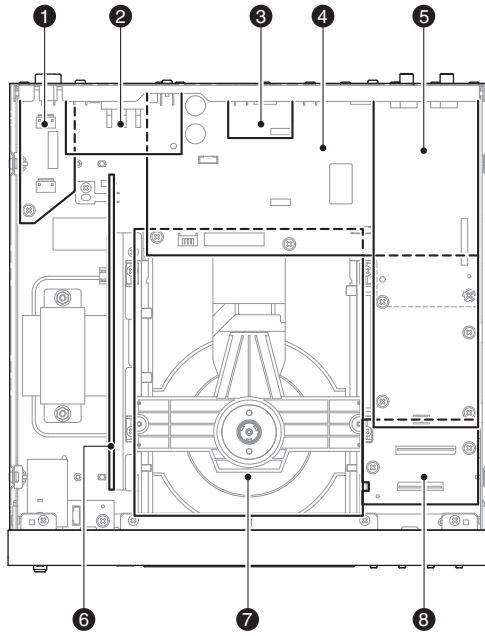
• DIMENSIONS / 寸法図



Unit: mm (inch)
単位: mm (インチ)

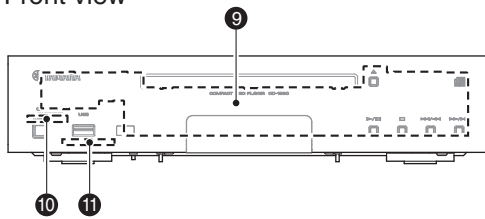
INTERNAL VIEW

Top view



- ① OPERATION (5) P.C.B.
- ② OPERATION (7) P.C.B. (L model)
- ③ DIGITAL (2) P.C.B.
- ④ DIGITAL (1) P.C.B.
- ⑤ OPERATION (3) P.C.B.
- ⑥ OPERATION (4) P.C.B.
- ⑦ Loader Mechanism Ass'y
- ⑧ OPERATION (9) P.C.B.
- ⑨ OPERATION (1) P.C.B.
- ⑩ OPERATION (6) P.C.B.
- ⑪ OPERATION (8) P.C.B.

Front view



■ DISASSEMBLY PROCEDURES / 分解手順

(Remove parts in the order as numbered.)
Disconnect the power cable from the AC outlet.

(番号順に部品を取り外してください。)
AC電源コンセントから、電源コードを抜いてください。

1. Removal of Top Cover

- Remove 4 screws (①) and 2 screws (②). (Fig. 1)
- Remove the top cover. (Fig. 1)

1. トップカバーの外し方

- ①のネジ4本、②のネジ2本を外します。(Fig. 1)
- トップカバーを取り外します。(Fig. 1)

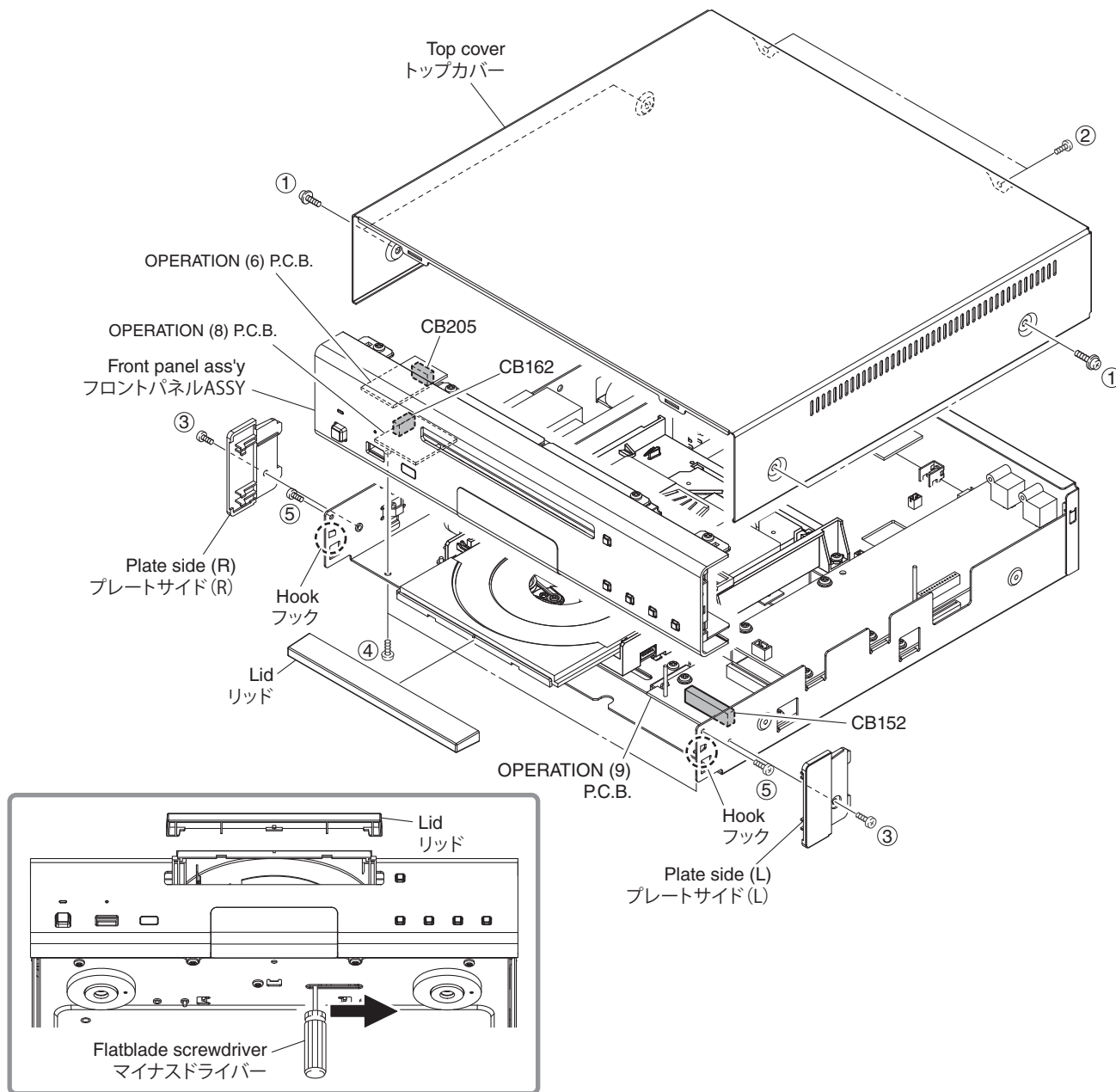


Fig. 1

2. Removal of Front Panel Ass'y

- Open the disc tray, remove the lid and close the disc tray. (Fig. 1)
- Remove 2 screws (③) and then remove the plate side (L and R). (Fig. 1)
- Remove 2 screws (④) and 2 screws (⑤). (Fig. 1)
- Remove CB152, CB162 and CB205. (Fig. 1)
- Release 2 hooks and then remove the front panel ass'y. (Fig. 1)

2. フロントパネル ASSY の外し方

- ディスクトレイを開けてリッドを取り外し、ディスクトレイを閉じます。(Fig. 1)
- ③のネジ2本を外し、プレートサイド (L、R) を取り外します。(Fig. 1)
- ④のネジ2本、⑤のネジ2本を外します。(Fig. 1)
- CB152、CB162、CB205を外します。(Fig. 1)
- フック2箇所を外し、フロントパネル ASSY を取り外します。(Fig. 1)

3. Removal of OPERATION (3) P.C.B.

- Remove 4 screws (⑥) and 2 screws (⑦). (Fig. 2)
- Remove CB1. (Fig. 2)
- Pull up the OPERATION (3) P.C.B.. (Fig. 2)
- Remove CB301. (Fig. 2)

4. Removal of Loader Mechanism Unit

- Remove 4 screws (⑧). (Fig. 2)
- Remove CB602 and CB603. (Fig. 2)
- Remove CB601 and ground the terminal face of the flexible flat cable with a clip or the like. (Fig. 2)
- Remove the loader mechanism unit. (Fig. 2)

2. OPERATION (3) P.C.B. の外し方

- ⑥のネジ 4 本、⑦のネジ 2 本を外します。(Fig. 2)
- CB1 を外します。(Fig. 2)
- OPERATION (3) P.C.B. を持ち上げます。(Fig. 2)
- CB301 を外します。(Fig. 2)

4. ローダーメカユニットの外し方

- ⑧のネジ 4 本を外します。(Fig. 2)
- CB602、CB603 を外します。(Fig. 2)
- CB601 を外し、カード電線の端子面をクリップ等でアースします。(Fig. 2)
- ローダーメカユニットを取り外します。(Fig. 2)

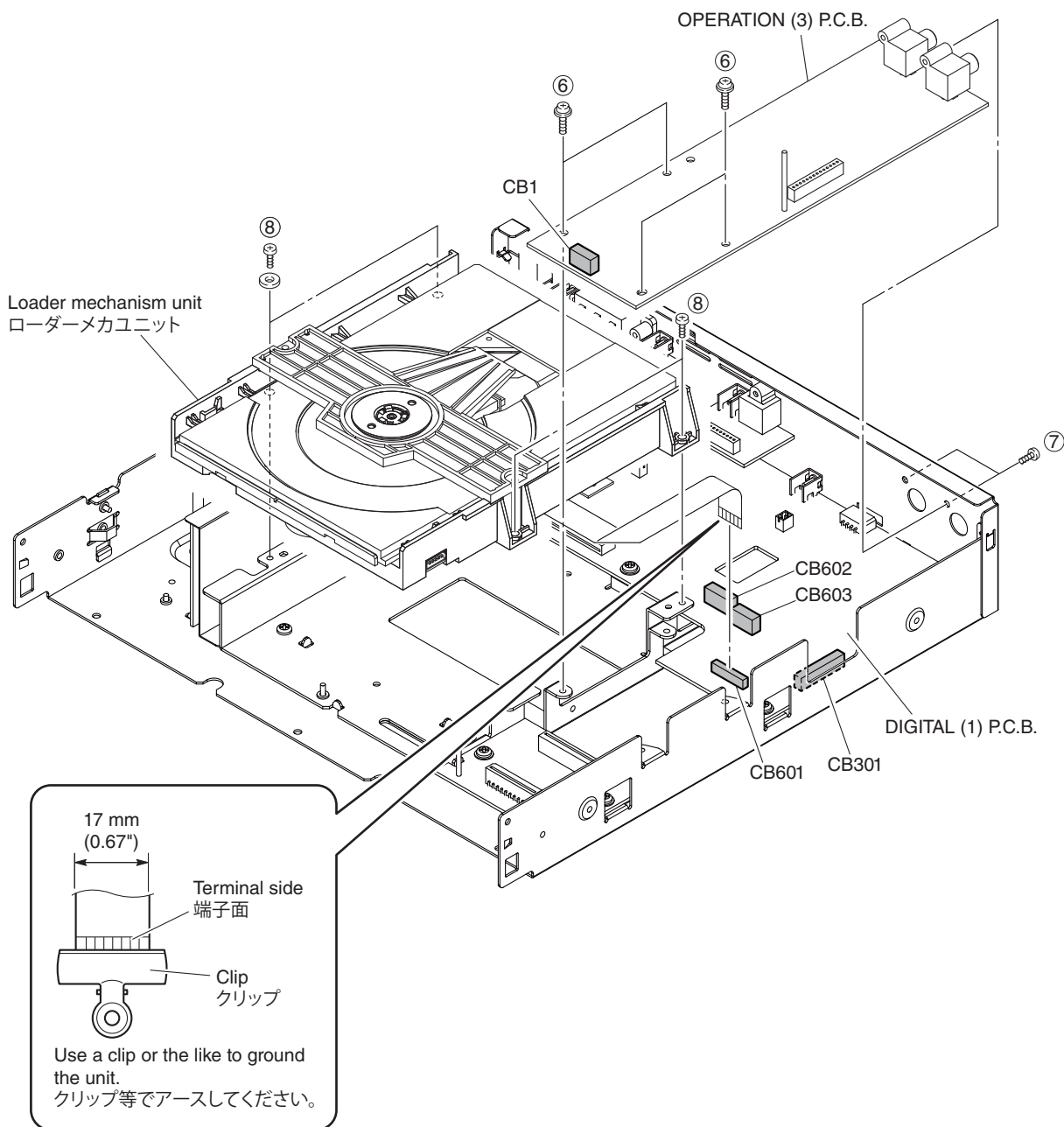


Fig. 2

When checking the P.C.B.s:

- Spread the rubber sheet and the cloth. Then place the sub chassis unit on the cloth and check it. (Fig. 3)
- Reconnect all cables (connectors) that have been disconnected.
- When connecting the flexible flat cable, be careful with polarity.
- Connect the ground points of the front panel ass'y and OPERATION (3) P.C.B. to the chassis with a ground lead or the like. (Fig. 3)

P.C.B. をチェックする場合には：

- ゴムシートと布を敷き、その上にサブシャーシユニットを置いてチェックします。(Fig.3)
- 外したケーブル（コネクタ）をすべて接続します。
- フラットケーブルを接続する際、極性に注意してください。
- フロントパネル ASSY と OPERATION (3) P.C.B. のアースをアース線等でシャーシに接続してください。(Fig. 3)

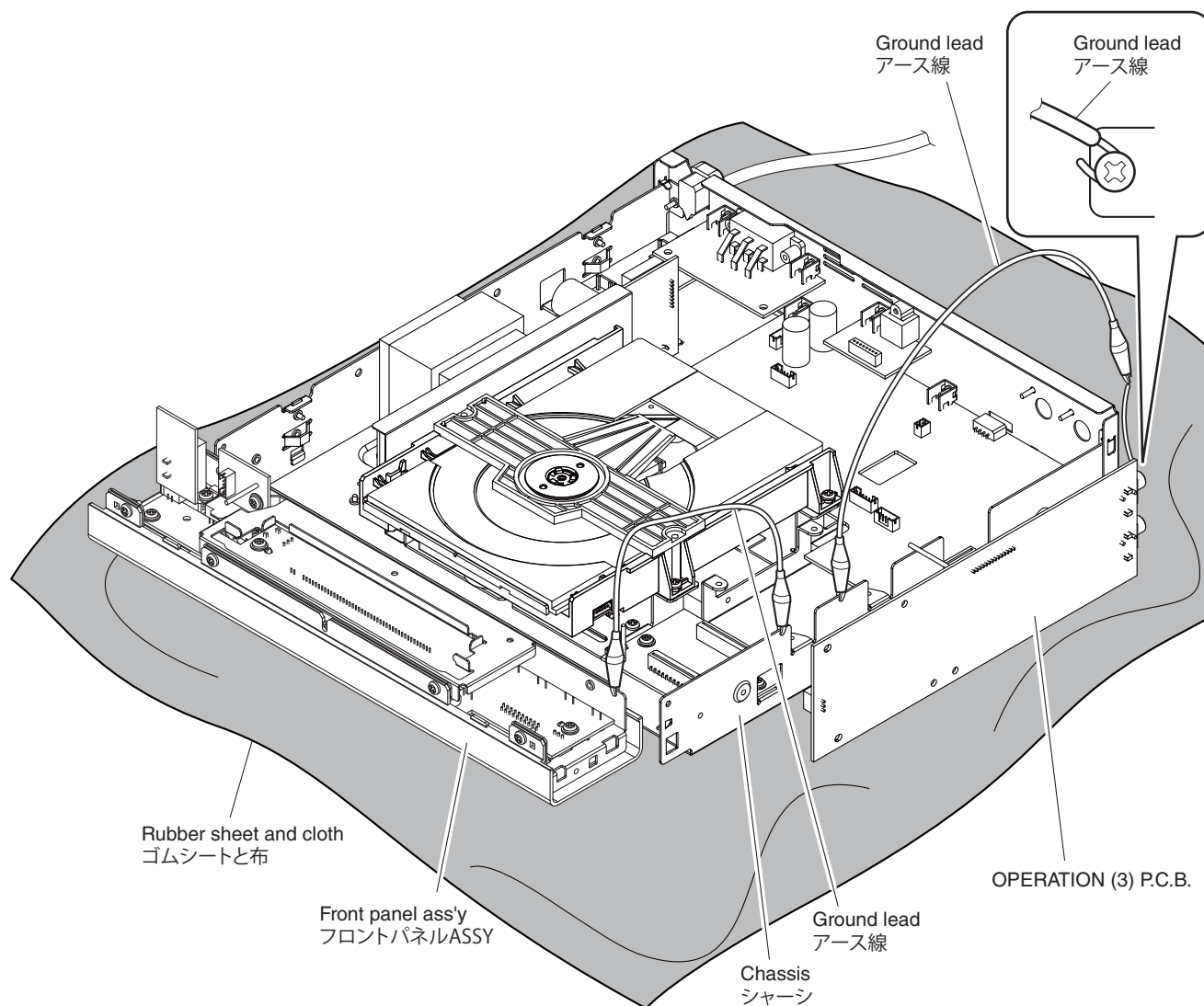


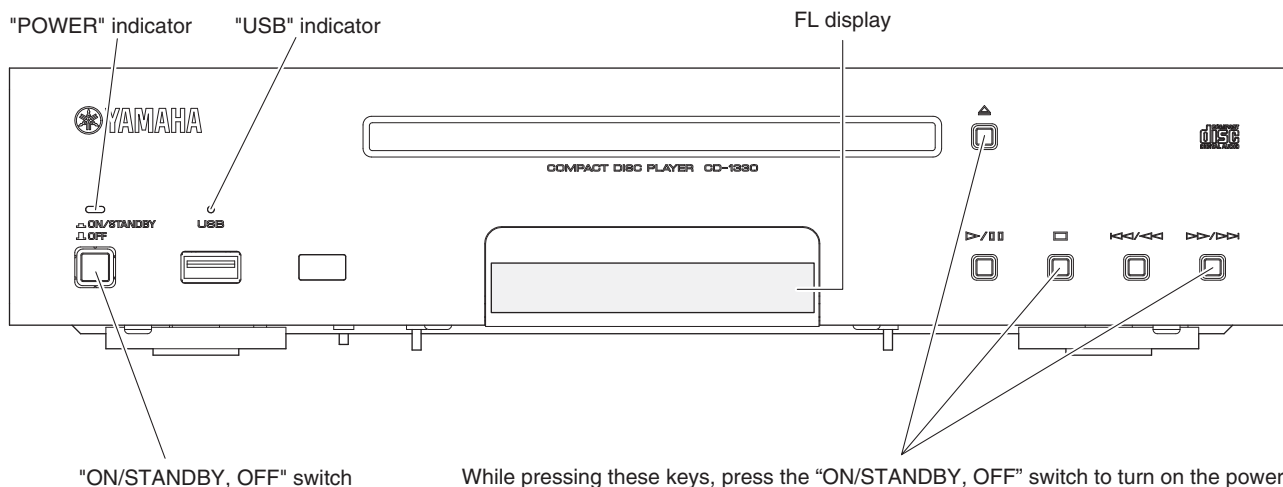
Fig. 3

■ TEST MODE / テストモード

Check the FL display and indicators for display/indication condition.

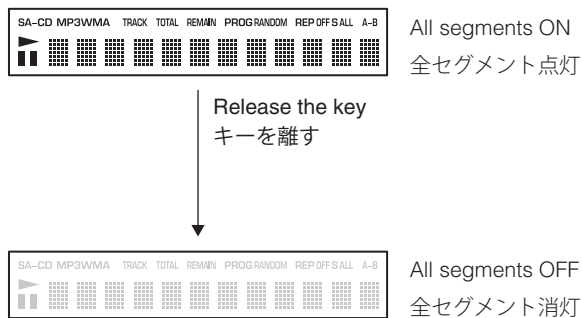
● Check the FL display and Indicators

1. While pressing those 3 keys of this unit as indicated in the figure below, press the "ON/STANDBY, OFF" switch to turn on the power and keep pressing those 3 keys.



While pressing these keys, press the "ON/STANDBY, OFF" switch to turn on the power.
これらのキーを押しながら、「ON/STANDBY、OFF」スイッチを押して電源を入れます。

FL display / FL ディスプレイ表示



2. With these 3 keys pressed continuously, check that all indicators (POWER, USB) are lit. At the same time, check that all segments of the FL display are lit.
 3. Release these 3 keys. Then check that all indicators (POWER, USB) as well as all segments of the FL display are turned off.
 4. The Test Mode is activated.
2. 3つのキーを押したまま、全てのインジケータ（POWER、USB）が点灯していることを確認します。同時に、FL ディスプレイの全セグメントが点灯していることを確認します。
 3. 3つのキーを離します。
全てのインジケータ（POWER、USB）と、FL ディスプレイの全セグメントが消灯していることを確認します。
 4. テストモードが起動します。

FL ディスプレイとインジケータの表示状態をチェックします。

● FL ディスプレイとインジケータの確認

1. 本機の下図に示す3つのキーを押しながら「ON/STANDBY、OFF」スイッチを押して電源を入れ、3つのキーを押し続けます。

● Operation Procedure of Test Mode

● テストモード時の操作

Function list of panel keys / テストモード時のパネルキー

Panel key / パネルキー	Function / 機能	Display / 表示
OPEN/CLOSE	Disc tray open/close / ディスクトレイ オープン/クローズ	OPEN / CLOSE
PLAY/PAUSE	-	-
STOP	Trace off / トレース オフ	TRACE off
SKIP+/SEARCH+	Trace on / トレース オン	TRACE on
SKIP-/SEARCH-	-	-

Function list of remote control keys / テストモード時のリモコンキー

Key / キー	Function / 機能	Display / 表示	
CD/USB	-	-	
PURE DIRECT	-	-	
OPEN/CLOSE	Disc tray open/close / ディスクトレイ オープン/クローズ	OPEN / CLOSE	
DIMMER	-	-	
DISPLAY	Firmware version is displayed. / ファームウェアバージョン表示	Yxxx xxxx	
1	Laser on / レーザー オン	LASER on	
2	Focus on / フォーカス オン	FOCUS on	
3	TE measure / TE 測定	TE measure	
4	Traverce in / トラバース イン	* Press "5" key to stop traverce. / ※ "5" キーを押してトラバースを停止してください。	TRV in
5	Traverce stop / トラバース ストップ		TRV stop
6	Traverce out / トラバース アウト	* Press "5" key to stop traverce. / ※ "5" キーを押してトラバースを停止してください。	TRV out
7	Spindle reverce / スピンドル リバース	* Press "8" key to stop spindle. / ※ "8" キーを押してスピンドルを停止してください。	SPDL rev
8	Spindle off / スピンドル オフ		SPDL stop
9	Spindle on / スピンドル オン	* Press "8" key to stop spindle. / ※ "8" キーを押してスピンドルを停止してください。	SPDL on
0	-	-	
ENTER	-	-	
CLEAR	-	-	
PROGRAM	-	-	
REPEAT	-	-	
RANDOM	-	-	
SEARCH -	-	-	
A-B REPEAT	-	-	
SEARCH +	-	-	
PAUSE	-	-	
SKIP -	-	-	
PLAY	Trace on / トレース オン	TRACE on	
SKIP +	Trace on / トレース オン	TRACE on	
STOP	Trace off / トレース オフ	TRACE off	

● Canceling Test Mode

Press the "ON/STANDBY, OFF" switch of this unit to turn off the power.

● テストモードの解除

本機の "ON/STANDBY, OFF" スイッチを押して電源を切ります。






■ UPDATING FIRMWARE / ファームウェアの書き込み

After replacing the following parts update the latest firmware according to the following procedure.

DIGITAL P.C.B.
Microprocessor (IC304) of DIGITAL P.C.B.

● Required tools

- Program downloader programs FlashSta.exe
- Firmware CD1330.S
CD1330.id
- RS232C cross cable "D-sub 9 pin female"
(Specifications)

Pin No.2 RxD		Pin No.2 RxD
Pin No.3 TxD		Pin No.3 TxD
Pin No.5 GND		Pin No.5 GND
Pin No.7 RTS		Pin No.7 RTS
Pin No.8 CTS		Pin No.8 CTS
- RS232C conversion adaptor (Part No.: AAX88050)

● Preparation and precautions before starting the operation






- Download firmware downloader program and firmware from the specified source to the same folder of the PC.
- Prepare the above specified RS232C cross cable.
- While writing, keep the other application software on the PC closed.
It is also recommended to keep the software on the task tray closed as well.

下記の部品を交換した場合、下記の手順により最新のファームウェアの書き込みを行ってください。

DIGITAL P.C.B.
DIGITAL P.C.B. のマイコン (IC304)

● 必要なツール

- プログラム書き込み用プログラム FlashSta.exe
- ファームウェア CD1330.S
CD1330.id
- RS232C クロスケーブル "D-sub 9pin メス"
(仕様)

Pin No.2 RxD		Pin No.2 RxD
Pin No.3 TxD		Pin No.3 TxD
Pin No.5 GND		Pin No.5 GND
Pin No.7 RTS		Pin No.7 RTS
Pin No.8 CTS		Pin No.8 CTS
- RS232C 変換アダプター (部品番号：AAX88050)

● 操作前の準備と注意

- PC へ指定のダウンロード先からファームウェア書き込み用プログラムおよび、ファームウェアを同じフォルダにダウンロードしてください。
- RS232C クロスケーブルは必ず上記仕様のもを用意してください。
- 書き込み時は、PC 上の他のアプリケーションソフトは閉じてください。
さらに、タスクトレイ上にあるソフトも閉じておくことを推奨します。

● **Confirmation of firmware version**

Before and after updating the firmware, check the firmware version.

1. While pressing the "PLAY/PAUSE" and "STOP" keys, press the "ON/STANDBY, OFF" switch of this unit to turn on the power, and then release these 2 keys. (Fig. 1)

The firmware version is displayed. (Fig. 1)

● **ファームウェアバージョンの確認**

ファームウェア更新の前後に、ファームウェアのバージョンを確認します。

1. 本機の "PLAY/PAUSE" キーと "STOP" キーを押しながら、"ON/STANDBY, OFF" スイッチを押して電源を入れ、これら2つのキーを放します。(Fig. 1) ファームウェアバージョンが表示されます。(Fig. 1)

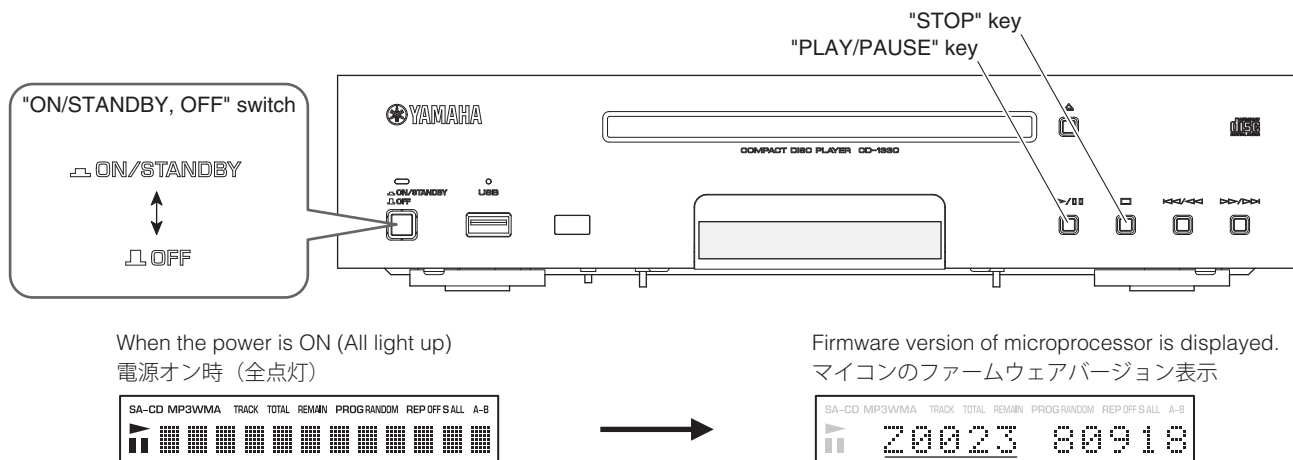


Fig. 1

2. Every time you press the "DISPLAY" key, the display changes in the order as shown below.

2. リモコンの "DISPLAY" キーを押すたびに、下図の順で表示が切り替わります。

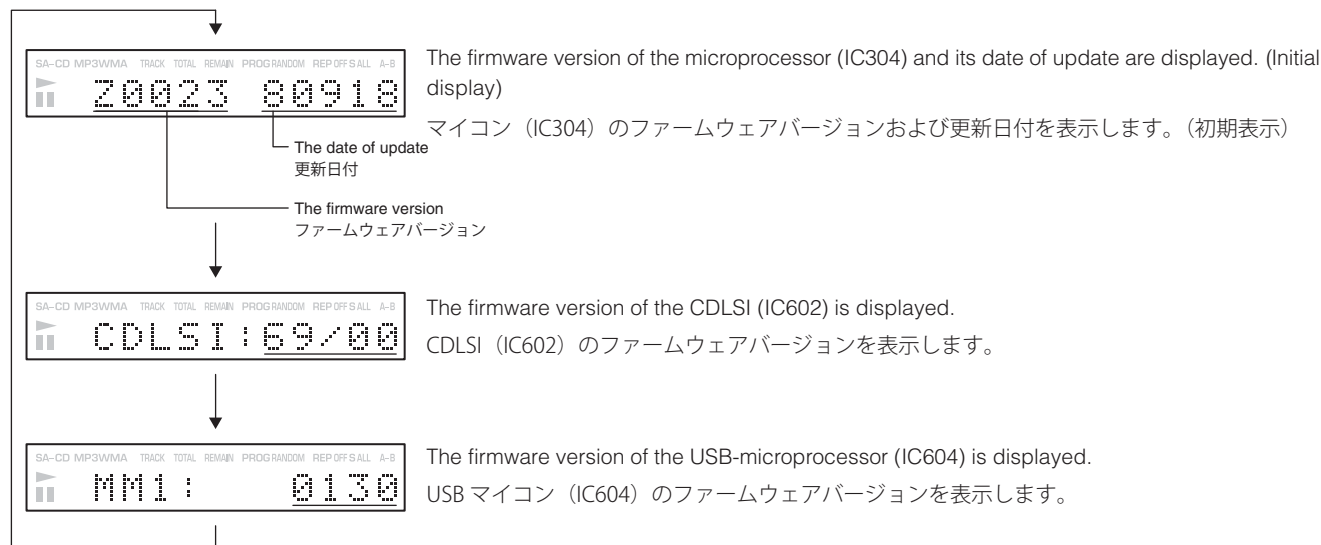
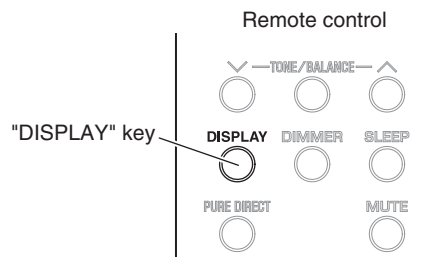


Fig. 2

● **Connection**

Connect the writing port of this unit to the serial port (RS232C) of the PC with RS232C cross cable, RS232C conversion adaptor and flexible flat cable as shown below. (Fig. 3)

● **接続**

本機の書き込み用ポートとPCのシリアルポート (RS232C) を下記のように接続します。(Fig. 3)

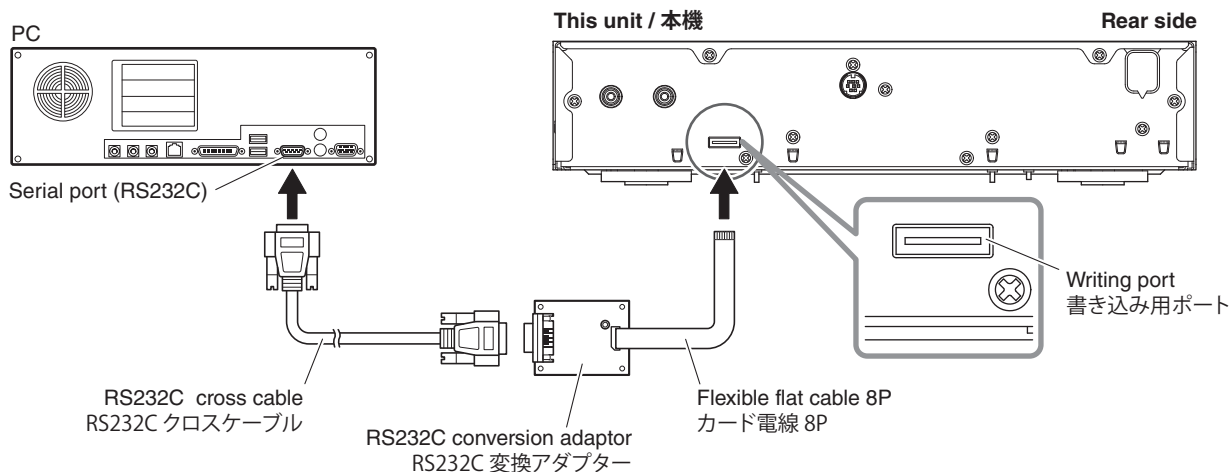


Fig. 3

● **Operation Procedures**

1. Connect the power cable of this unit to the AC outlet.
2. While pressing the reset switch of RS232C conversion adaptor, press the "ON/STANDBY, OFF" switch of this unit to turn on the power. (Fig. 4)

● **操作手順**

1. 本機の電源コードを AC コンセントに接続します。
2. RS232C 変換アダプターのリセットスイッチを押しながら、本機の "ON/STANDBY, OFF" スイッチを押してオンにします。(Fig. 4)

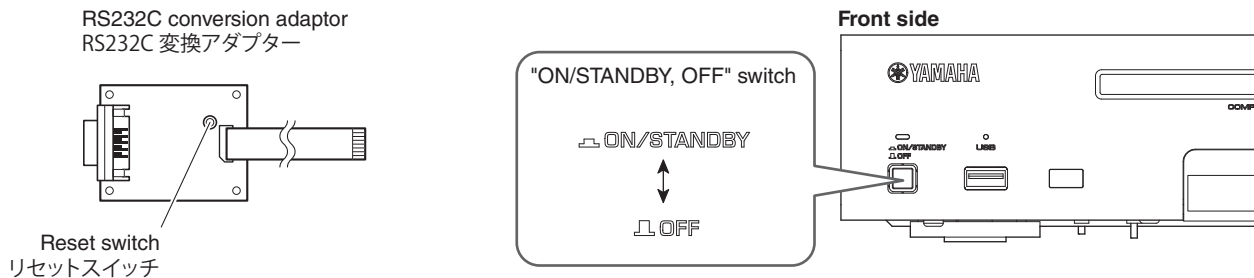


Fig. 4

3. Start up FlashSta.exe, the screen will appear as shown below. (Fig. 5)

3. FlashSta.exe を立ち上げます。
すると下記の画面が表示されます。(Fig. 5)

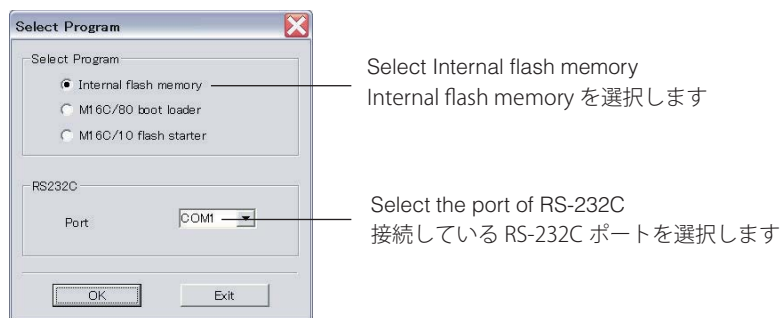


Fig. 5

4. Select the port and data to be transmitted. (Fig. 5)

4. 送信データ、ポートを選択します。(Fig. 5)

• **Select Program**

Select Internal flash memory

• **Select Program**

Internal flash memory を選択します。

• **RS232C**

Select the port of RS-232C

• **RS232C**

接続している RS-232C ポートを選択します。

* For selection of the port, COM1 to 4 can be used.
As COM5 or higher port cannot be used, select out of COM 1 to 4 of the setting on the PC side.

※ ポートの選択は COM1 ~ 4 までが使用できません。
COM5 以上は使用できませんので、PC 側の設定で COM1 ~ 4 を選択してください。

5. Click [Refer...]. And select the firmware name. (Fig. 6)

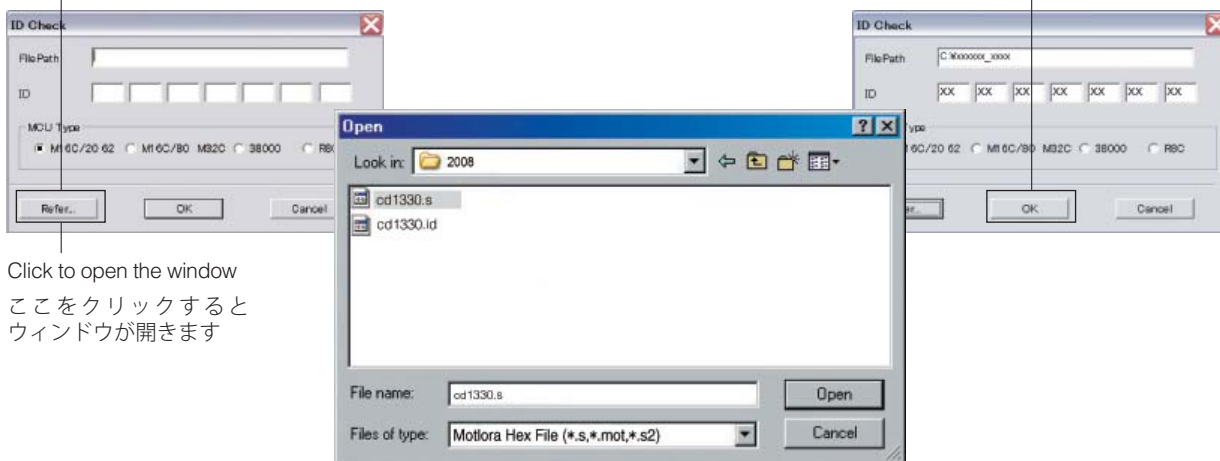
5. [Refer...] をクリックし、書き込むファームウェアを選択します。(Fig. 6)

* The ID code and MCU type are loaded automatically when the file is selected. (Fig. 6)

※ ID、および MCU Type は書き込みファイル選択時、自動的に取り込まれます。(Fig. 6)

Click [OK]. (Fig. 6)

[OK] をクリックします。(Fig. 6)



Click to open the window
ここをクリックすると
ウィンドウが開きます

Fig. 6

6. Click [E.P.R.], the screen appears as shown below. (Fig. 7)
Click [OK] to start writing. (Fig. 7)

6. [E.P.R.] をクリックすると、下記の画面が表示されます。(Fig. 7)
[OK] をクリックし、書き込みを開始します。(Fig. 7)

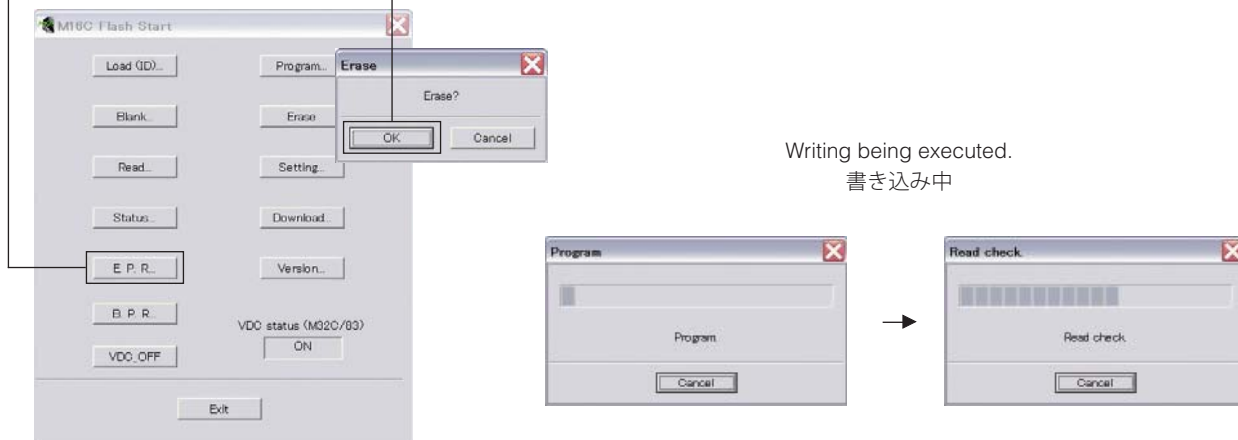


Fig. 7

7. When the program transmission is completed, the screen appears as shown below. (Fig. 8)
Click [OK] to end the procedure. (Fig. 8)

7. プログラムの送信が終了すると、下記の画面が表示されます。(Fig. 8)
[OK] をクリックして完了します。(Fig. 8)



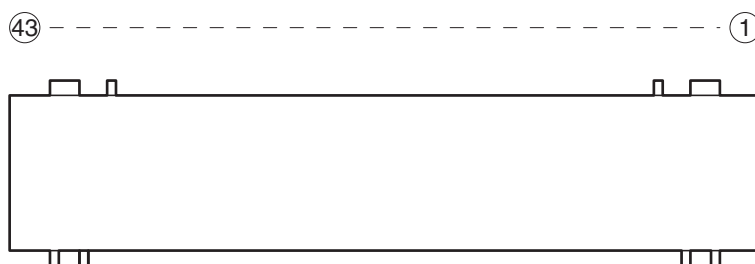
Fig. 8

8. Press the "ON/STANDBY, OFF" switch of this unit to turn off the power.
9. End "FlashSta.exe".
10. Check that the firmware version is same as written ones with the Confirmation of firmware version.
* When the firmware version is different from written ones, perform the "UPDATING FIRMWARE" procedure all over again.
11. Press the "ON/STANDBY, OFF" switch of this unit to turn off the power.

8. 本機の "ON/STANDBY、OFF" スイッチを押して電源を切ります。
9. "FlashSta.exe" を終了します。
10. ファームウェアのバージョンが書き込まれたものと同じであることを確認します。
※ ファームウェアのバージョンが書き込まれたもの異なる場合、「ファームウェアの書き込み」をもう一度やり直してください。
11. 本機の "ON/STANDBY、OFF" スイッチを押して電源を切ります。

■ DISPLAY DATA

● V101 : 13-ST-81GINK (OPERATION (1) P.C.B.)

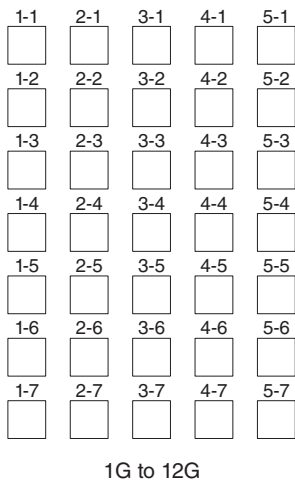
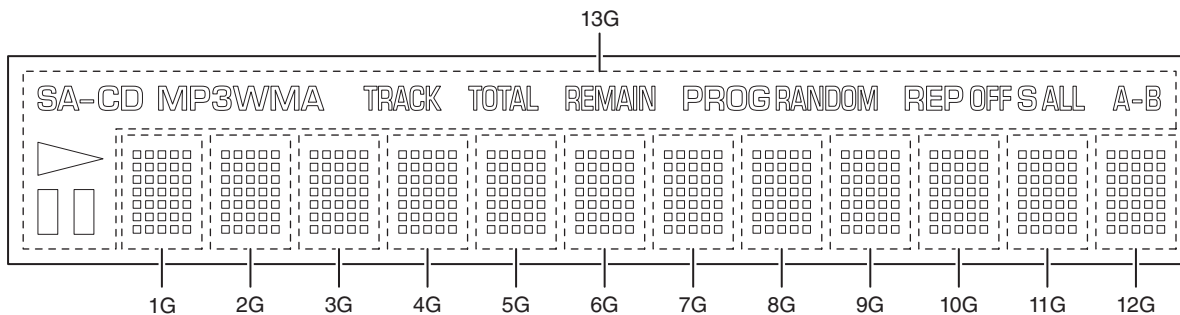


● PIN CONNECTION

Pin No.	19	18	17	16	15	14	13	12	11	10	9	8	7	6	5	4	3	2	1
Connection	NX	NX	NX	NX	NX	NX	NX	NX	NX	NX	NX	NX	NX	NX	13G	Q13G	NP	NP	F1
Pin No.	37	36	35	34	33	32	31	30	29	28	27	26	25	24	23	22	21	20	
Connection	VDD	OSC	RESET	CS	CP	DA	TSA	TSB	NX	NX	NX	NX	NX	NX	NX	NX	NX		
Pin No.	43	42	41	40	39	38													
Connection	F2	NP	NP	LGND	PGND	VH													

Note: 1) F1, F2 Filament 2) NP No pin 3) NX No extended pin 4) DL Datum line 5) LGND Logic GND pin
 6) PGND Power GND pin 7) VH High voltage supply pin 8) VDD Logic voltage supply pin 9) CP Shift register clock
 10) DA Serial data input 11) TSA, B Test pin 12) CS Chip select input pin 13) OSC Pin for self-oscillation
 14) RESET Reset input 16) Q13G Driver output port 17) 13G Grid

● GRID ASSIGNMENT

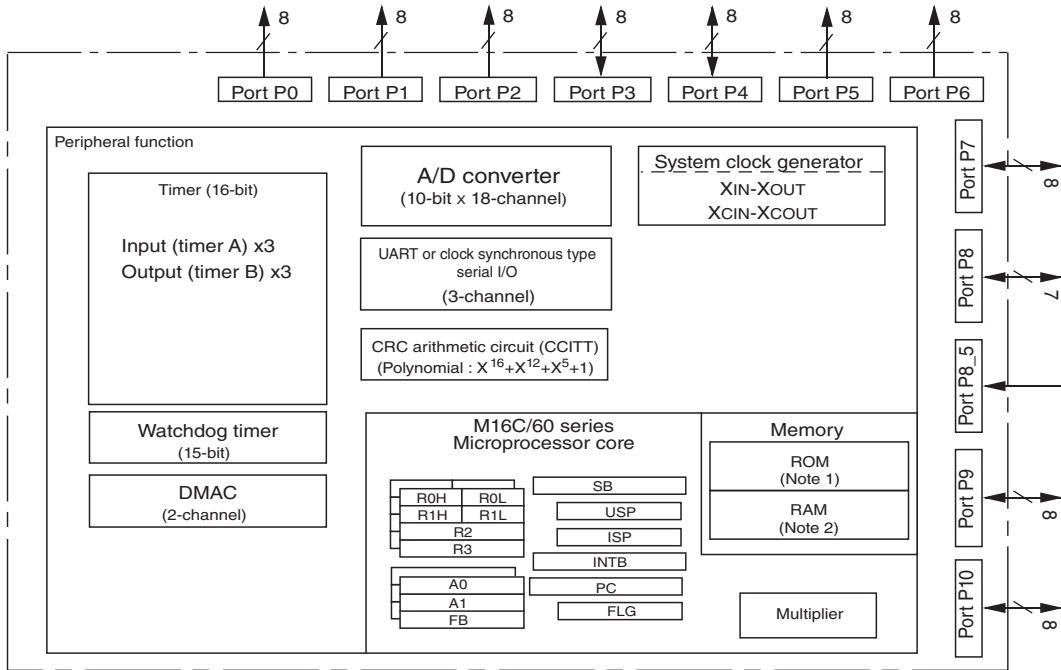


● ANODE CONNECTION

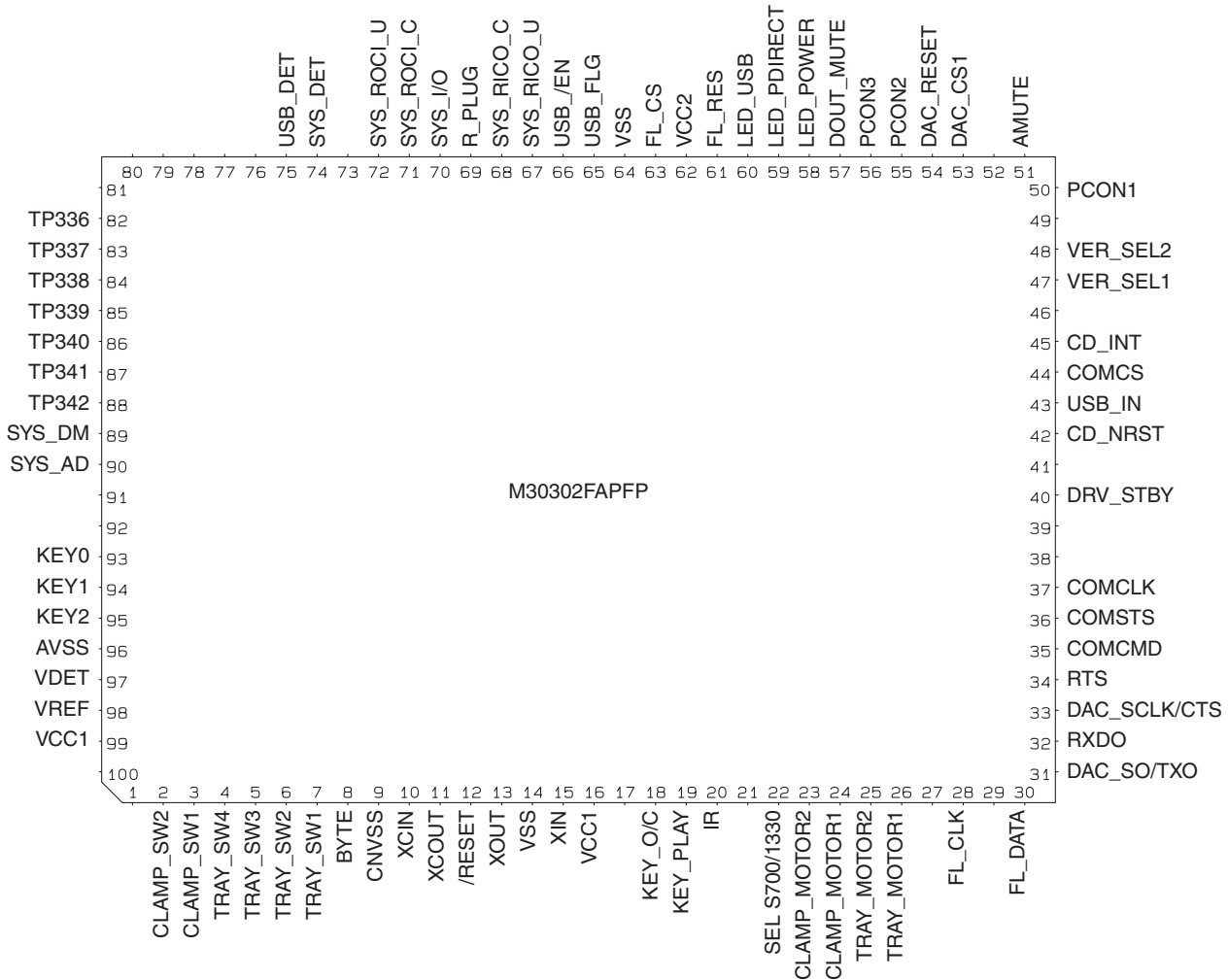
	1G to 12G	13G		1G to 12G	13G		1G to 12G	13G
D0	1-1		D15	1-4	CD	D30	1-7	-
D1	2-1		D16	2-4	SA-	D31	2-7	-
D2	3-1	B	D17	3-4	-	D32	3-7	-
D3	4-1	A-	D18	4-4	-	D33	4-7	-
D4	5-1	ALL	D19	5-4	-	D34	5-7	-
D5	1-2	S	D20	1-5	-			
D6	2-2	OFF	D21	2-5	-			
D7	3-2	REP	D22	3-5	-			
D8	4-2	RANDOM	D23	4-5	-			
D9	5-2	PROG	D24	5-5	-			
D10	1-3	REMAIN	D25	1-6	-			
D11	2-3	TOTAL	D26	2-6	-			
D12	3-3	TRACK	D27	3-6	-			
D13	4-3	WMA	D28	4-6	-			
D14	5-3	MP3	D29	5-6	-			

IC DATA

IC304: M30302FAPFP (DIGITAL P.C.B.)
Single-chip 16-bit microprocessor



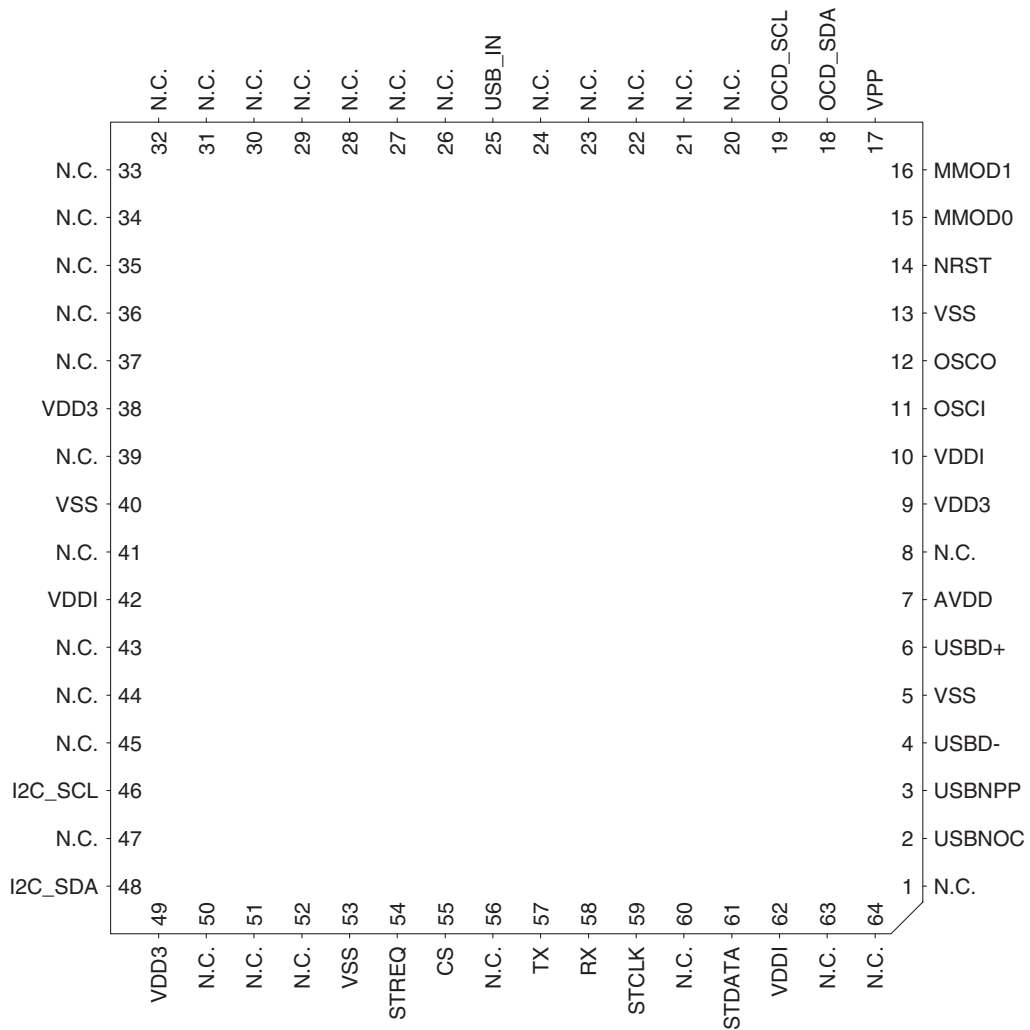
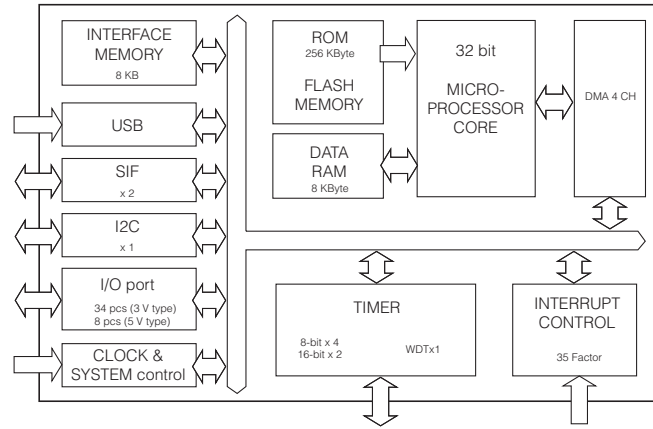
Note 1: ROM contents vary depending on types.
Note 2: RAM contents vary depending on types.



No.	Port Name	Function Name	I/O	Detail of Function
1		P9_6/ANEX1		(No connected)
2	CLAMP_SW2	P9_5/ANEX0	I	Clamp SW2
3	CLAMP_SW1	P9_4	I	Clamp SW1
4	TRAY_SW4	P9_3		
5	TRAY_SW3	P9_2/TB2IN	I	Tray SW3 / Loader mechanism specification confirm
6	TRAY_SW2	P9_1/TB1IN	I	Tray SW2
7	TRAY_SW1	P9_0/TB0IN	I	Tray SW1
8	BYTE	BYTE	I	GND
9	CNVSS	CNVSS		Usually GND but VCC1 when writing FLASH
10	XCIN	P8_7/XCIN		(No connected)
11	XCOU	P8_6/XCOU		(No connected)
12	/RESET	/RESET		
13	XOUT	XOUT		
14	VSS	VSS		GND
15	XIN	XIN		
16	VCC1	VCC1		
17		P8_5/NMI		Pull-up resistor required
18	KEY_O/C	P8_4/INT2		GND when writing FLASH
19	KEY_PLAY	P8_3/INT1		(No connected)
20	IR	P8_2/INT0	I	Remote control
21		P8_1		(No connected)
22	SEL S700/1330	P8_0		
23	CLAMP_MOTOR2	P7_7	O	Clamp motor 2
24	CLAMP_MOTOR1	P7_6	O	Clamp motor 1
25	TRAY_MOTOR2	P7_5/TA2IN	O	Tray motor 2
26	TRAY_MOTOR1	P7_4/TA2OUT	O	Tray motor 1
27		P7_3/CTS2/RTS2/TA1IN		(No connected)
28	FL_CLK	P7_2/CLK2/TA1OUT	O	FL control
29		P7_1/RXD2/SCL2/TA0IN		(No connected)
30	FL_DATA	P7_0/TXD2/SDA2/TA0OUT	O	FL control
31	DAC_SO/TXO	P6_7/TXD1/SDA1	O	TxD for DAC control / Rewriting FLASH commonly used
32	RXDO	P6_6/RXD1/SCL1	I	RxD for rewriting FLASH commonly used
33	DAC_SCLK/CT	P6_5/CLK1	O	CTS for DAC control / Rewriting FLASH commonly used
34	RTS	P6_4/CTS1/RTS1/CTS0/CLKS1	I	RTS for rewriting FLASH commonly used
35	COMCMD	P6_3/TXD0/SDA0	O	MODULE control
36	COMSTS	P6_2/RXD0/SCL0	I	MODULE control
37	COMCLK	P6_1/CLK0	I	MODULE control
38		P6_0/CTS0/RTS0		(No connected)
39		P5_7/RDY/CLKOUT		(No connected)
40	DRV_STBY	P5_6/ALE	O	MODULE control
41		P5_5/HOLD		GND when writing FLASH
42	CD_NRST	P5_4/HLDA	O	MODULE control
43	USB_IN	P5_3/BCLK	O	MODULE control
44	COMCS	P5_2/RD	O	MODULE control
45	CD_INT	P5_1/WRH/BHE	I	MODULE control
46		P5_0/WRL/WR		VCC1 when writing FLASH
47	VER_SEL1	P4_7/CS3		(No connected)
48	VER_SEL2	P4_6/CS2		(No connected)
49		P4_5/CS1		(No connected)
50	PCON1	P4_4/CS0	O	output RELAY
51	AMUTE	P4_3/A19	O	Analog mute
52		P4_2/A18	O	DAC control
53	DAC_CS1	P4_1/A17	O	DAC control
54	DAC_RESET	P4_0/A16	O	DAC control
55	PCON2	P3_7/A15		(No connected)
56	PCON3	P3_6/A14		(No connected)
57	DOUT_MUTE	P3_5/A13		(No connected)
58	LED_POWER	P3_4/A12	O	Indicator of power supply
59	LED_PDIRECT	P3_3/A11	O	Indicator of pure direct
60	LED_USB	P3_2/A10	O	Indicator of SACD

No.	Port Name	Function Name	I/O	Detail of Function
61	FL_RES	P3_1/A9	O	FL control
62	VCC2	VCC2		
63	FL_CS	P3_0/A8	O	FL control
64	VSS	VSS		
65	USB_FLG	P2_7/A7		(No connected)
66	USB_EN	P2_6/A6		(No connected)
67	SYS_RICO_C	P2_5/A5		(No connected)
68	SYS_RICO_U	P2_4/A4		(No connected)
69	R_PLUG	P2_3/A3		(No connected)
70	SYS_I/O	P2_2/A2		(No connected)
71	SYS_ROCI_C	P2_1/A1		(No connected)
72	SYS_ROCI_U	P2_0/A0		(No connected)
73		P1_7/D15		(No connected)
74	SYS_DET	P1_6/D14/INT4		(No connected)
75	USB_DET	P1_5/D13/INT3		(No connected)
76		P1_4/D12		(No connected)
77		P1_3/D11		(No connected)
78		P1_2/D10		(No connected)
79		P1_1/D9		(No connected)
80		P1_0/D8		(No connected)
81		P0_7/AN0_7/D7	O	Test point
82	TP336	P0_6/AN0_6/D6	O	Test point
83	TP337	P0_5/AN0_5/D5	O	Test point
84	TP338	P0_4/AN0_4/D4	I	LOAD- monitor
85	TP339	P0_3/AN0_3/D3	O	Test point
86	TP340	P0_2/AN0_2/D2	I	LOAD+ monitor
87	TP341	P0_1/AN0_1/D1	O	Test point
88	TP342	P0_0/AN0_0/D0	O	Test point
89	SYS_DM	P10_7/AN7/KI3		(No connected)
90	SYS_AD	P10_6/AN6/KI2		(No connected)
91		P10_5/AN5/KI1		(No connected)
92		P10_4/AN4/KI0		(No connected)
93	KEY0	P10_3/AN3	I	Analog input
94	KEY1	P10_2/AN2	I	Analog input
95	KEY2	P10_1/AN1	I	Analog input
96	AVSS	AVSS		
97	VDET	P10_0/AN0	I	MODULE control
98	VREF	VREFF		
99	VCC1	AVCC		
100		P9_7/ADTRG		(No connected)

IC604: MN103SFB5KYAA (DIGITAL P.C.B.)
USB microprocessor

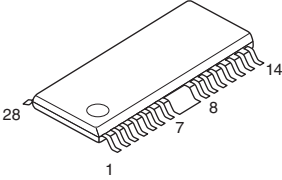
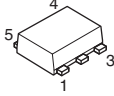
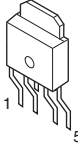
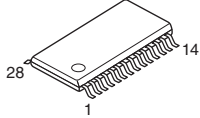
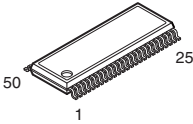
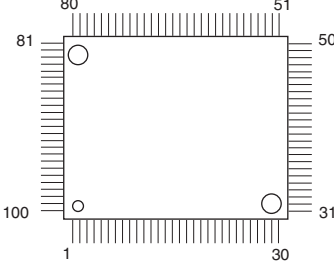
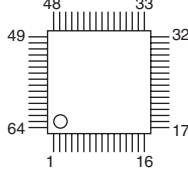
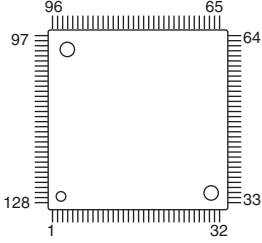
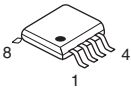
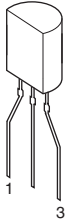
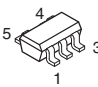
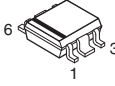
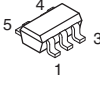
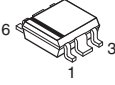
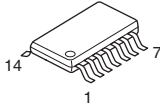
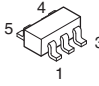


No.	Port Name	Function Name	Detail of Function
1	N.C.		
2	USBNOG		USB over-current input (negative polarity)
3	USBNPP		USB, VBUS power output control terminal (negative polarity)
4	USBD-		USB D- terminal
5	VSS	AVSS	Ground / Analog power supply for USB / Connect to VSS.
6	USBD+		USB D+ terminal
7	AVDD		Analog power supply for USB / Connect to VDD33.
8	N.C.		
9	VDD3	VDD33	Power for on-chip regulator (2.7V to 3.6V) I/O power supply (2.7V to 3.6V)
10	VDDI	VDD18/VOUT	Power for internal circuit (1.8V \pm 0.15V) Connect all VDD18 terminals outside of chip. Also, connect a 10 μ F capacitor between VDD18 and VSS of No.10 pin and place it near LSI. On-chip regulator output (1.8V \pm 0.15V)
11	OSCI		High-speed oscillation input terminal (fosc) (When PLL used: 6.33 MHz to 20 MHz)
12	OSCO		High-speed oscillation output terminal
13	VSS		Ground
14	NRST		Reset signal input terminal (negative polarity)
15	MMOD0		Operation mode setting terminal
16	MMOD1		Operation mode setting terminal
17	VPP		Power for rewriting built-in Flash memory (3.3V \pm 0.3V) / only for Flash built in model
18	OCD_SDA		Clock, data input/output terminal for on-chip debugger
19	OCD_SCL		Clock, data input/output terminal for on-chip debugger
20			
21			
22	N.C.		
23			
24			
25	USB_IN		General purpose input/output port 0
26			
27			
28			
29			
30			
31	N.C.		
32			
33			
34			
35			
36			
37			
38	VDD3	VDD33	Power for on-chip regulator (2.7V to 3.6V) I/O power supply (2.7V to 3.6V)
39	N.C.		
40	VSS		Ground
41	N.C.		
42	VDDI	VDD18	Power supply for internal circuit (1.8V \pm 0.15V) Connect all VDD18 terminals outside of chip. Also, connect a 10 μ F capacitor between VDD18 and VSS of No.10 pin and place it near LSI.
43			
44	N.C.		
45			
46	I2C_SCL	P35/SCL3	General purpose input/output port 3
47	N.C.		
48	I2C_SDA	P33/SDA3	General purpose input/output port 3
49	VDD3	VDD5	I/O power supply (5V type I/O)
50	N.C.		

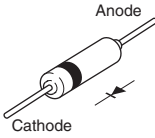
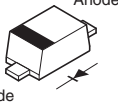
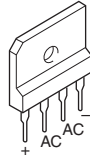
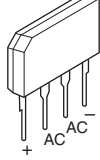
No.	Port Name	Function Name	Detail of Function
51	N.C.		
52			
53	VSS		Ground
54	STREQ	PD5/IRQ2	External interrupt request signal input terminal
55	CS	PD4/IRQ1	External interrupt request signal input terminal
56	N.C.		
57	TX	PD1/SBI2	Clock synchronization/start stop synchronization serial terminal
58	RX	PD0/SBO2	Clock synchronization/start stop synchronization serial terminal
59	STCLK	P92/SBT0	Serial clock input/output terminal
60	N.C.		
61	STDATA	P90/SBO0	Serial data output terminal
62	VDDI	VDD18	Power supply for internal circuit (1.8V \pm 0.15V) Connect all VDD18 terminals outside of chip. Also, connect a 10 μ F capacitor between VDD18 and VSS of No.10 pin and place it near LSI.
63	N.C.		
64			

■ PIN CONNECTION DIAGRAMS

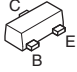

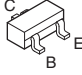
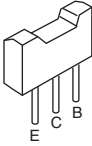
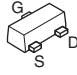
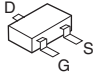
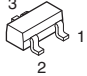
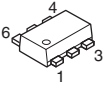
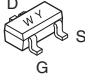
• ICs

<p>AN41010A-VF</p> 	<p>BD5229G-TR</p> 	<p>BD9870FPS-E2</p> 	<p>DSD1791DBR</p> 	
<p>M12L16161A-7TG</p> 	<p>M30302FAPFP</p> 	<p>MN103SFB5KYAA</p> 	<p>MN6627971YB</p> 	
<p>OP275GSR</p> 	<p>PQ033ES3MXP</p> 	<p>R1154N033B-TR-F</p> 	<p>R1172S331B-E2-F</p> 	<p>R5523N001A-TR-F</p> 
<p>RP131S501D-E2-F</p> 	<p>TC74VHCT08AFT</p> 	<p>TC7SH08F</p> 	<p></p>	

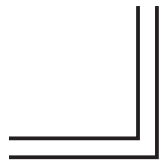
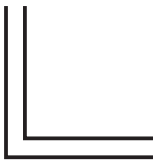
• Diodes

<p>1N4002S</p> 	<p>1SS355 FM203-W TE MA-8039-H MA8047-H MA8056-M 5.6V MA8062-M MA8130-M MA8300-M 30.0V RB050LA-40TR TP RB501V-40</p> 	<p>D4SBN20-7101</p> 	<p>RS203M-B-C-J80</p> 
--	--	---	---

• Transistors

<p>2SA1037K 2SC2412K 2SD1938F</p> 	<p>2SB1257 2SD2014</p> 	<p>2SB709A</p> 	<p>2SC4488</p> 	<p>2SK208</p> 	<p>5HP02C-TB-E RSR025N03</p> 
<p>DTC114EKA DTC144EKA DTA144EKA</p>  <p>1: GND 2: IN 3: OUT</p>		<p>MCH6612-TL-E</p>  <p>1: Source 1 2: Gate 1 3: Drain 2 4: Source 2 5: Gate 2 6: Drain 1</p>		<p>RSR025P03TL</p> 	

MEMO



1 ■ BLOCK DIAGRAM

2

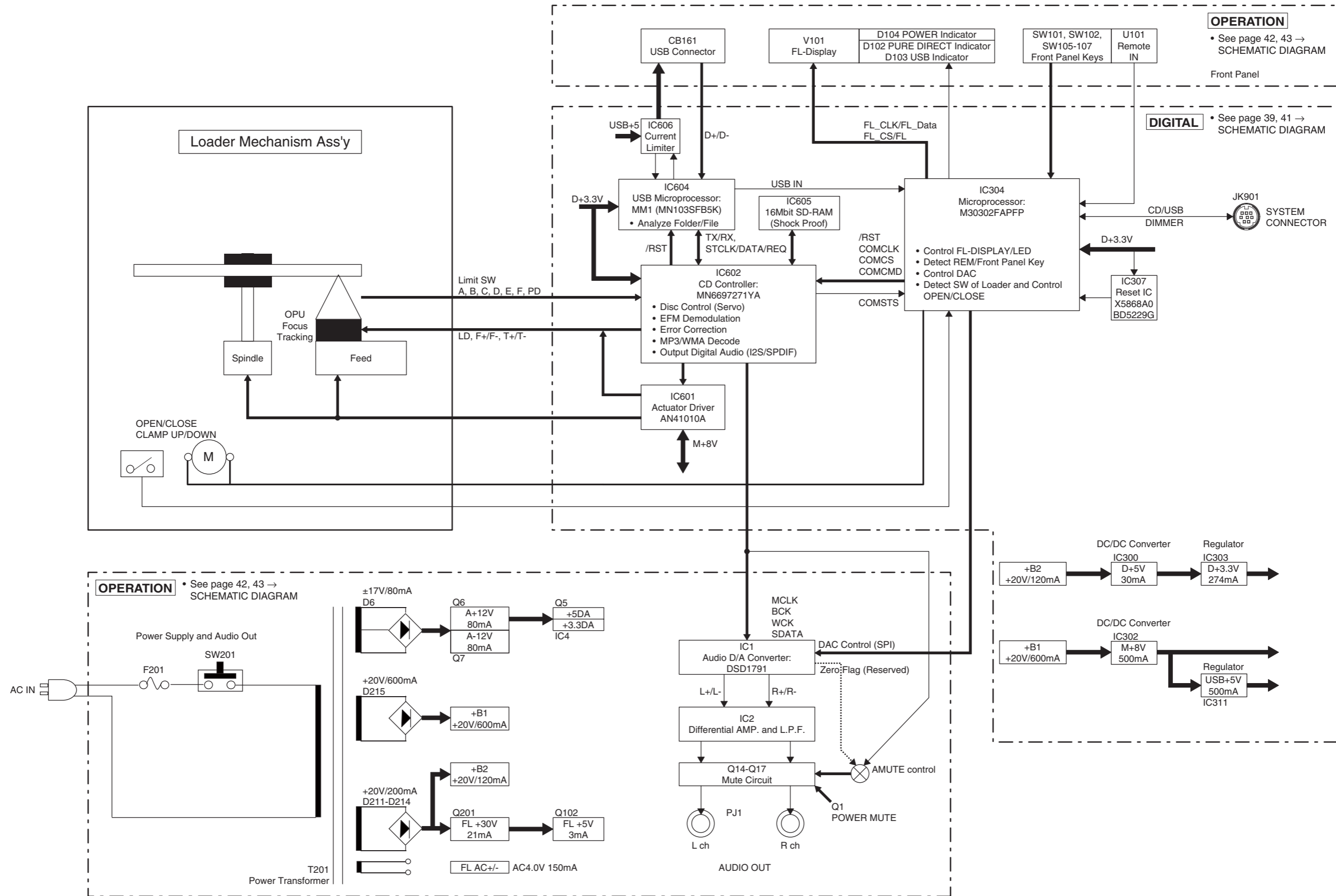
3

4

5

6

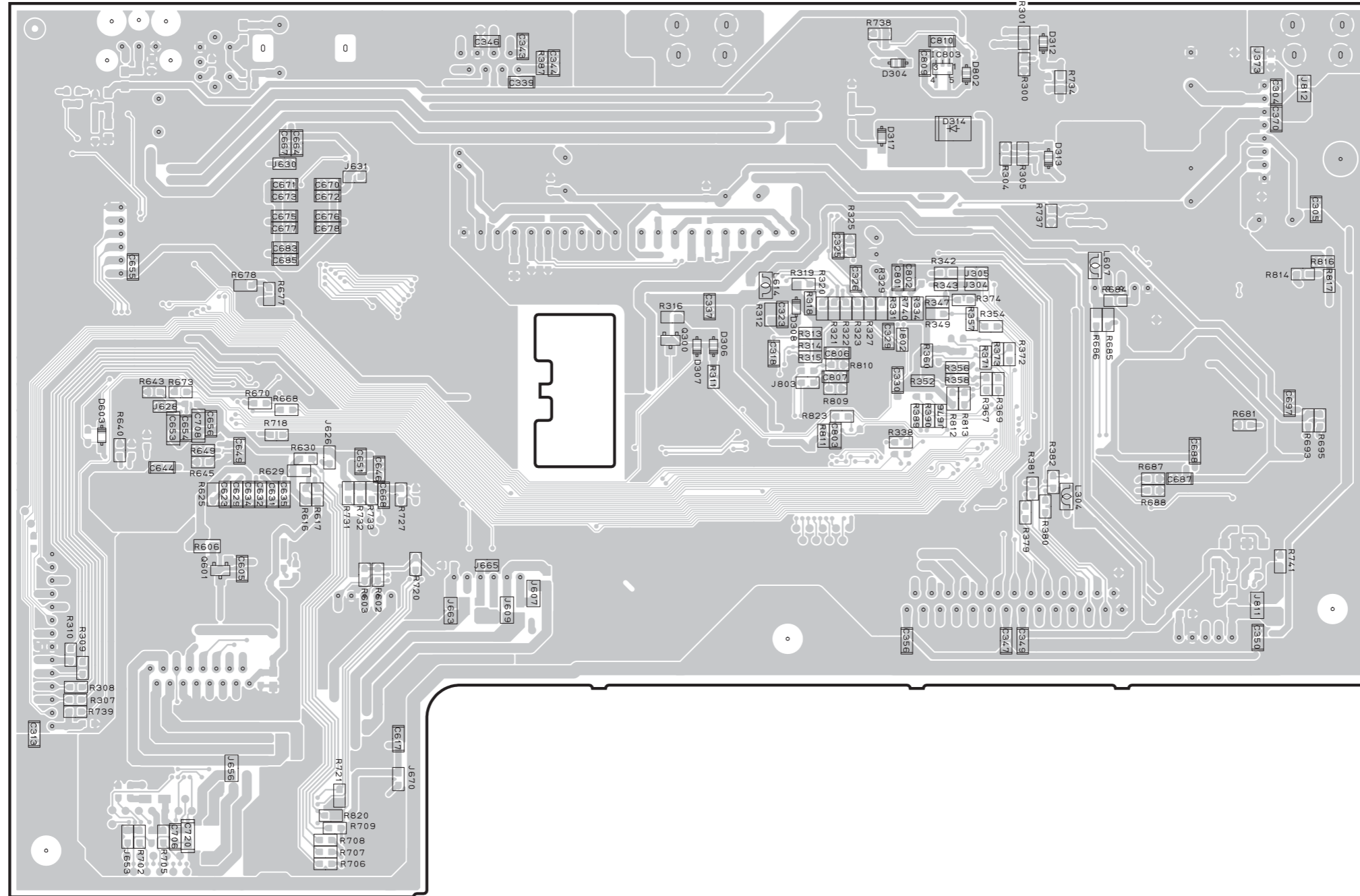
7



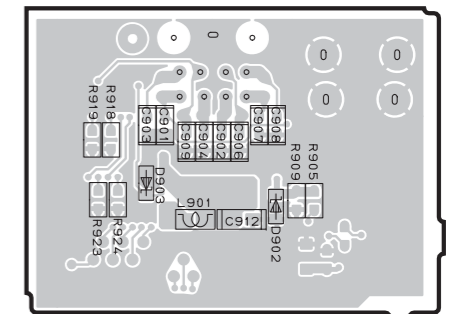
DIGITAL (1) P.C.B. (Side B)

• Semiconductor Location

Ref no.	Location	Ref no.	Location	Ref no.	Location
D304	F3	D313	G3	D902	J6
D306	E4	D314	F3	D903	I6
D307	E4	D317	F3	IC803	F3
D308	E4	D603	B4	Q300	E4
D312	G2	D802	F3	Q601	C5



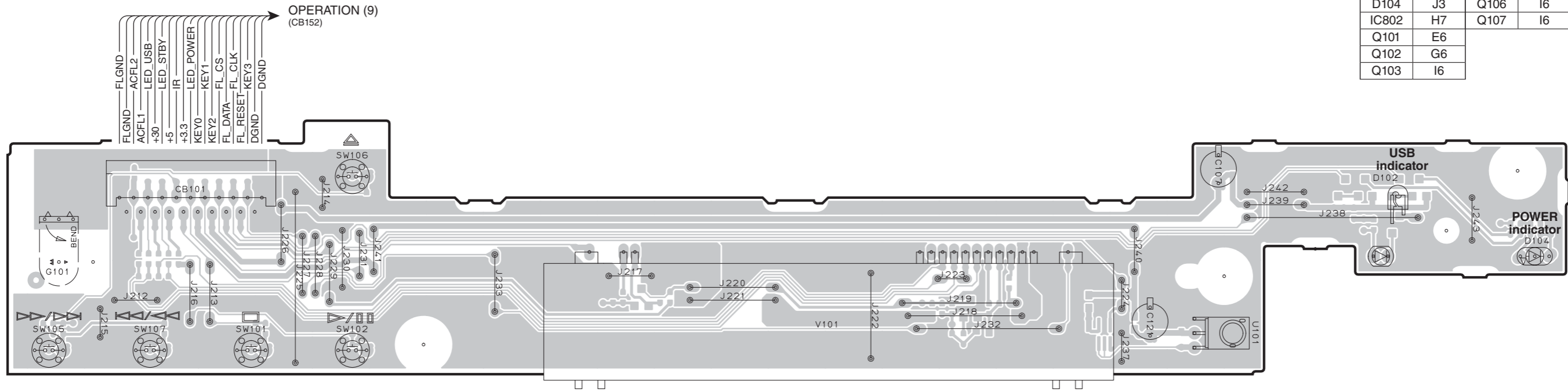
DIGITAL (2) P.C.B. (Side B)



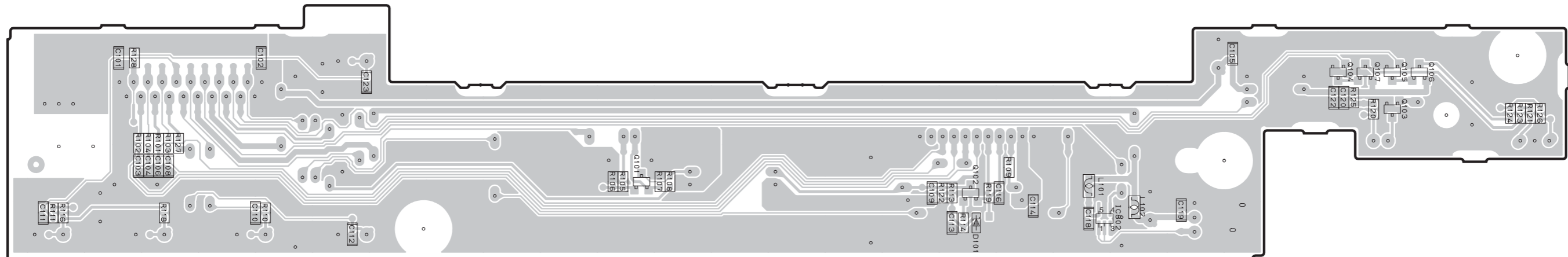
OPERATION (1) P.C.B. (Side A)

• Semiconductor Location

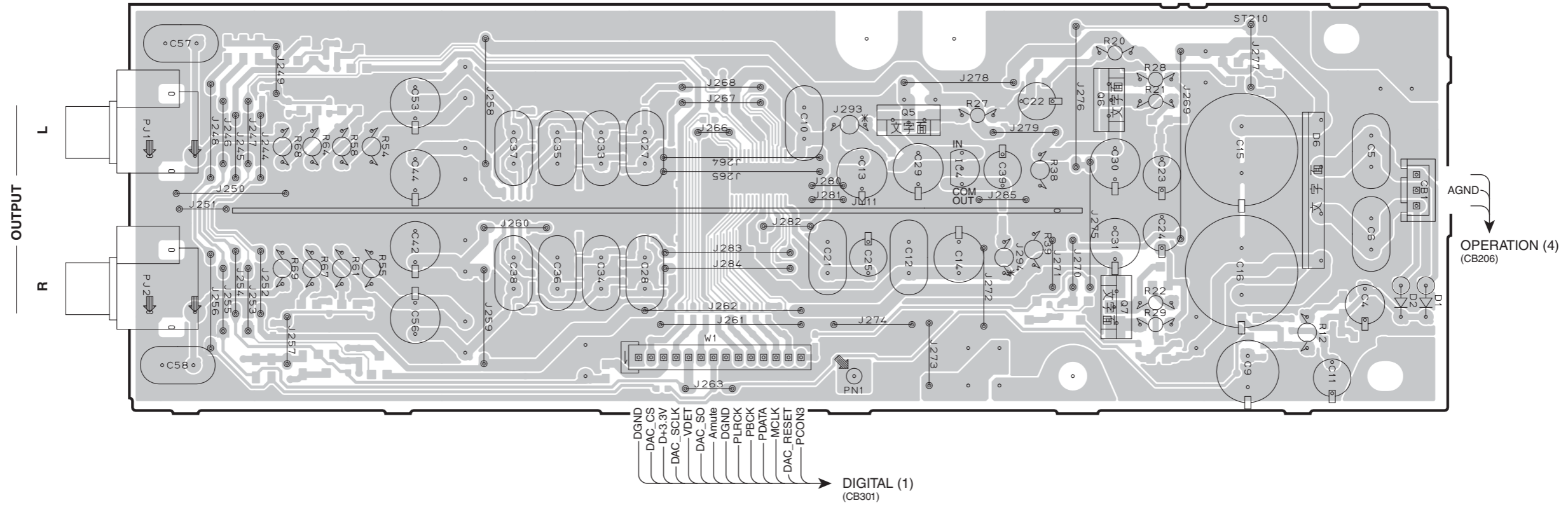
Ref no.	Location	Ref no.	Location
D101	G7	Q104	I6
D102	I3	Q105	I6
D104	J3	Q106	I6
IC802	H7	Q107	I6
Q101	E6		
Q102	G6		
Q103	I6		



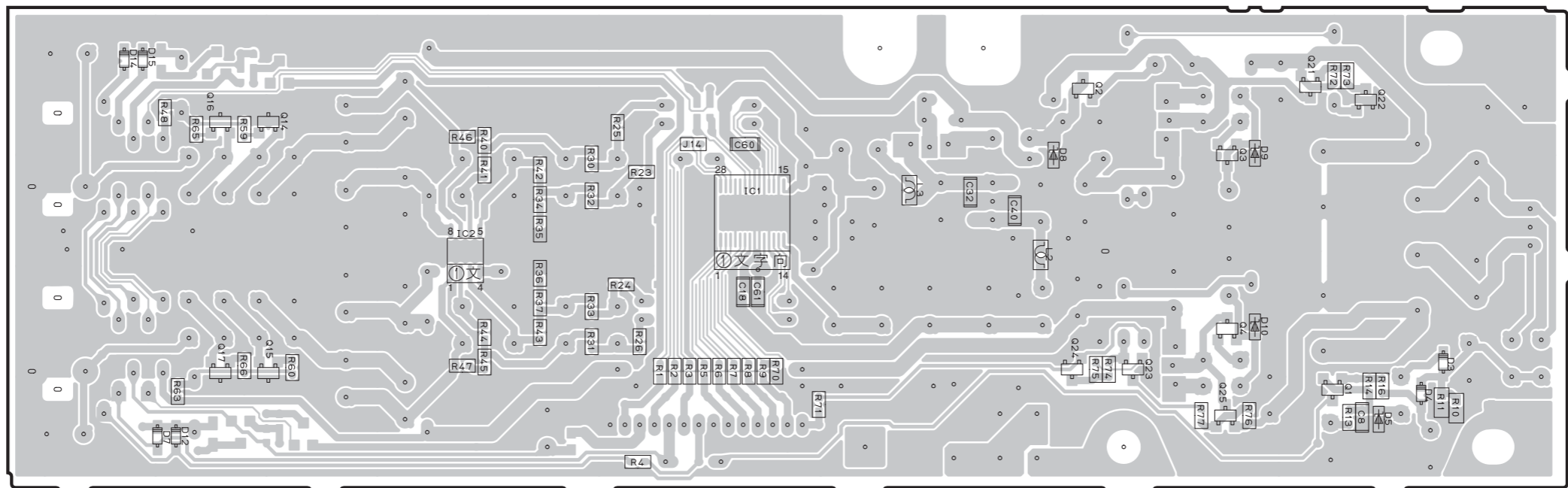
OPERATION (1) P.C.B. (Side B)



OPERATION (3) P.C.B. (Side A)



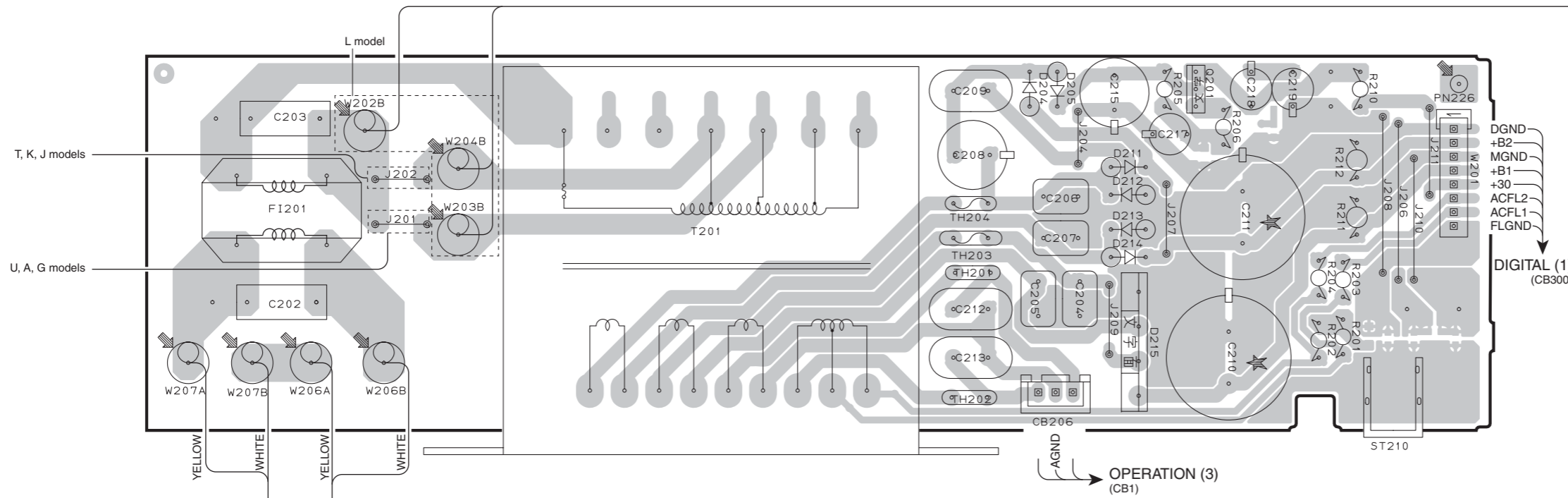
OPERATION (3) P.C.B. (Side B)



• Semiconductor Location

Ref no.	Location	Ref no.	Location
D1	I3	Q1	H6
D2	I3	Q2	G5
D3	H6	Q3	G5
D4	H7	Q4	G6
D5	H7	Q5	F2
D6	H2	Q6	G2
D7	C7	Q7	G3
D8	G5	Q14	C5
D9	H5	Q15	C6
D10	H6	Q16	C5
D12	C7	Q17	C6
D14	C5	Q21	H5
D15	C5	Q22	H5
IC1	E6	Q23	G6
IC2	D6	Q24	G6
IC4	F2	Q25	G7

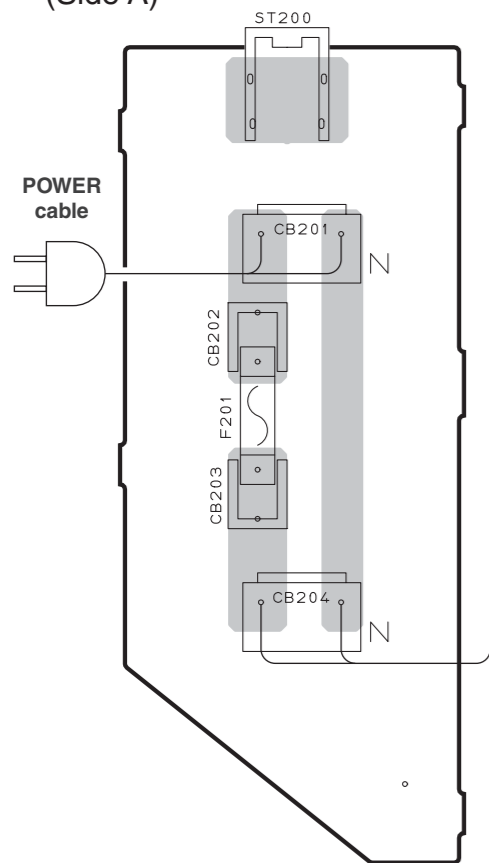
OPERATION (4) P.C.B. (Side A)



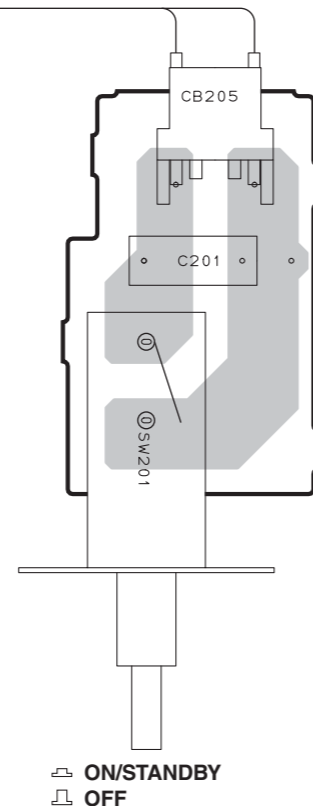
• Semiconductor Location

Ref no.	Location
D204	F2
D205	F2
D211	G2
D212	G2
D213	G3
D214	G3
D215	G3
Q201	G2

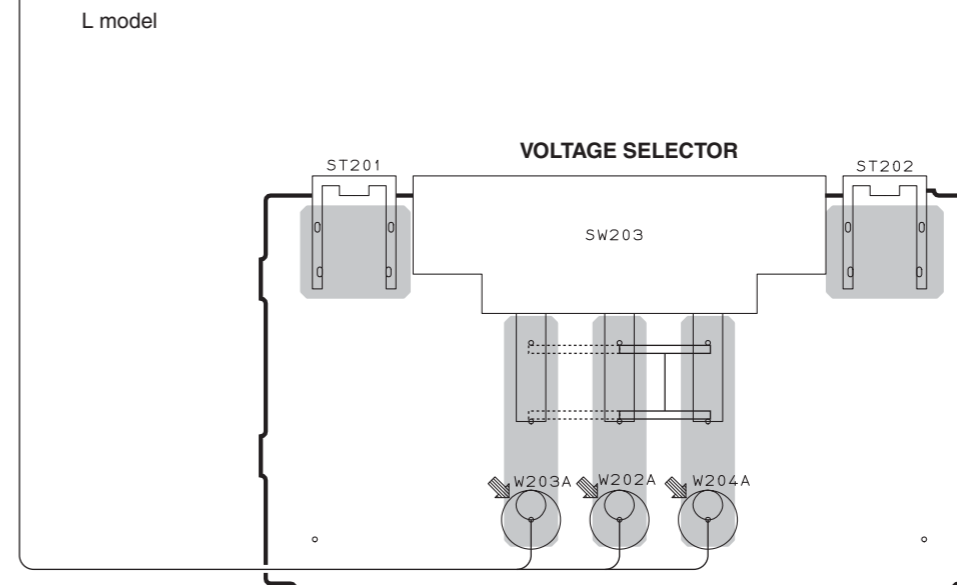
OPERATION (5) P.C.B. (Side A)



OPERATION (6) P.C.B. (Side A)



OPERATION (7) P.C.B. (Side A)



1

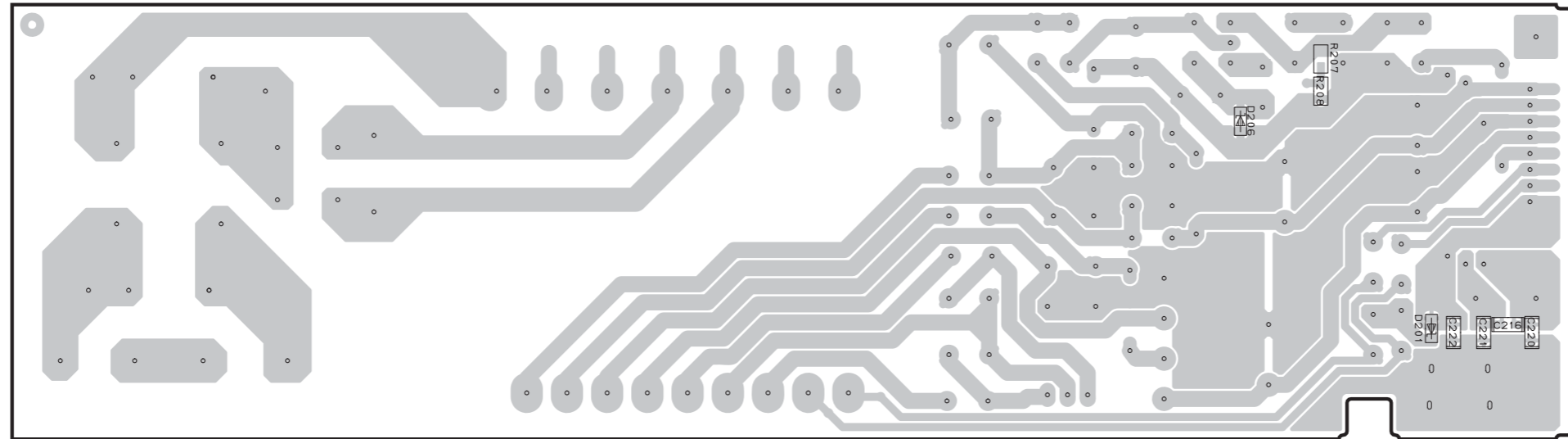
OPERATION (4) P.C.B. (Side B)

• Semiconductor Location

Ref no.	Location
D201	H3
D206	G2

2

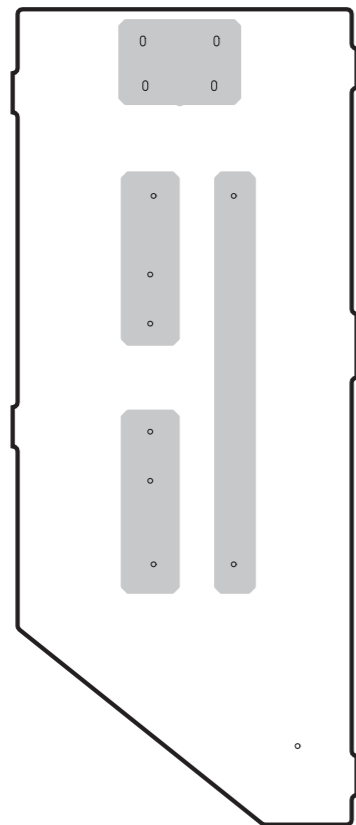
3



4

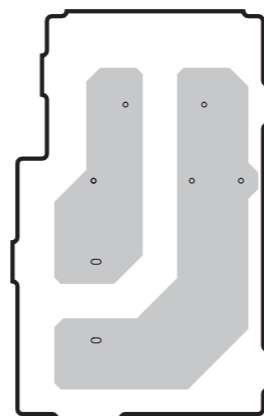
OPERATION (5) P.C.B.

(Side B)



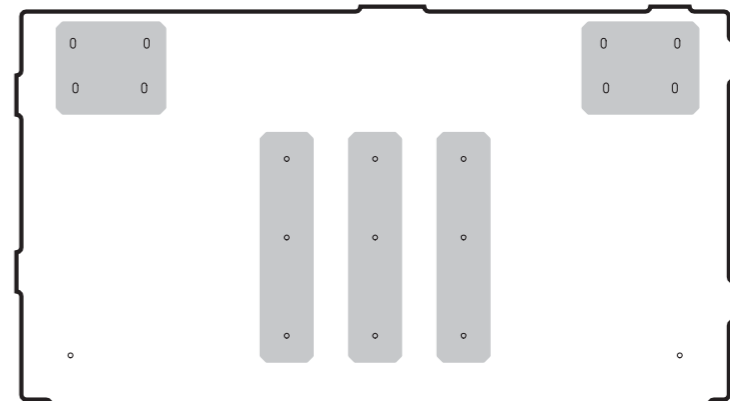
5

OPERATION (6) P.C.B. (Side B)



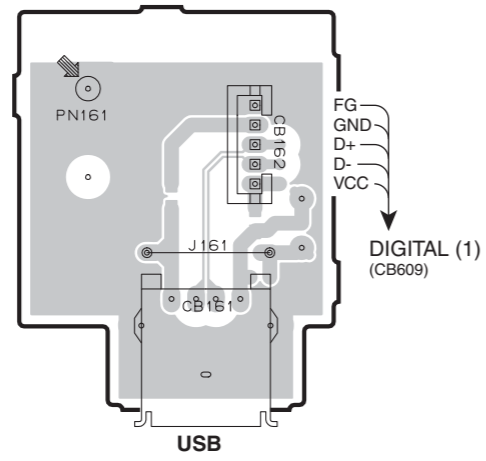
6

OPERATION (7) P.C.B. (Side B)

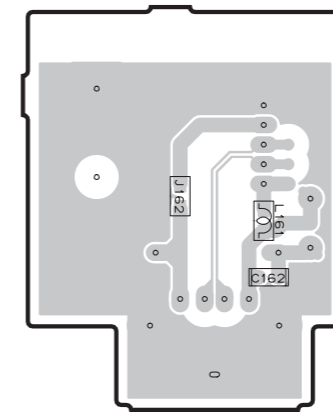


7

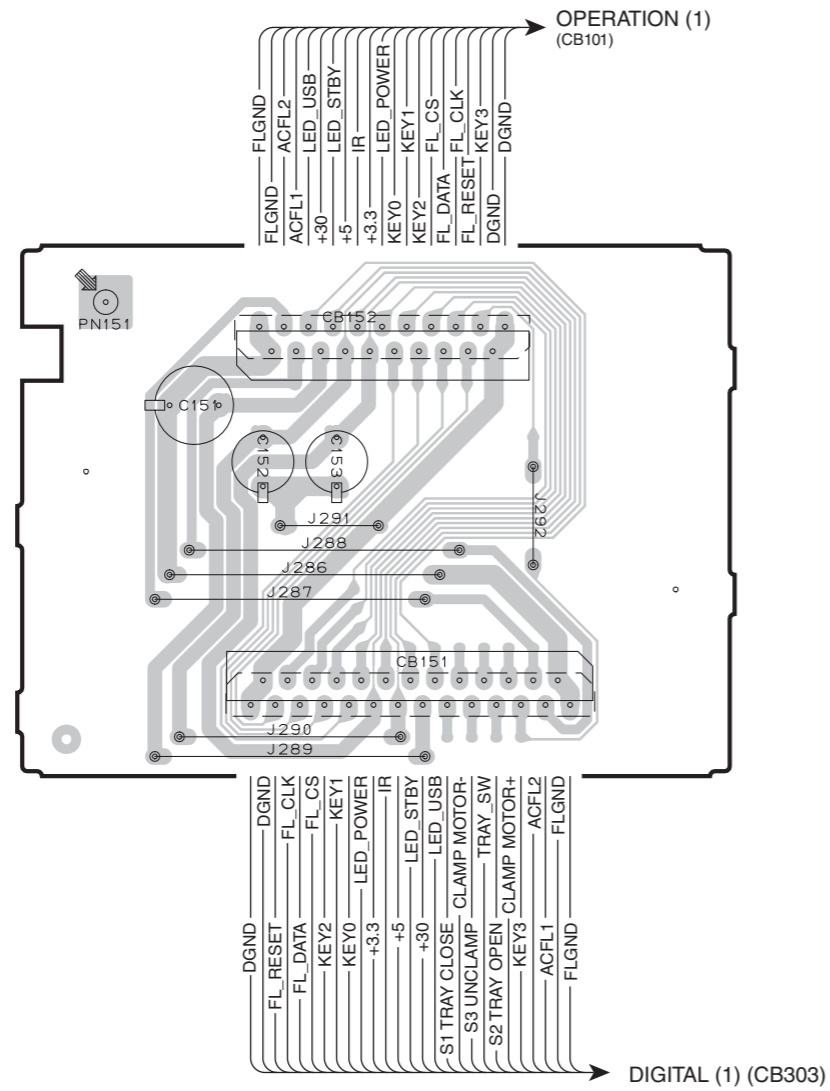
OPERATION (8) P.C.B. (Side A)



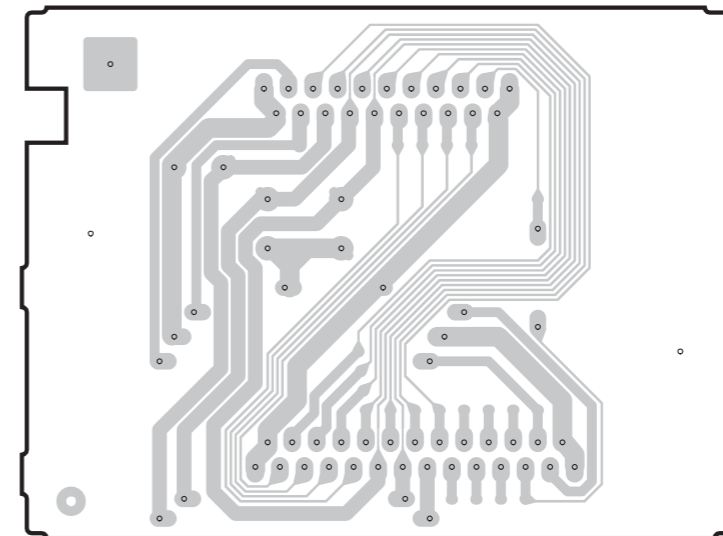
OPERATION (8) P.C.B. (Side B)

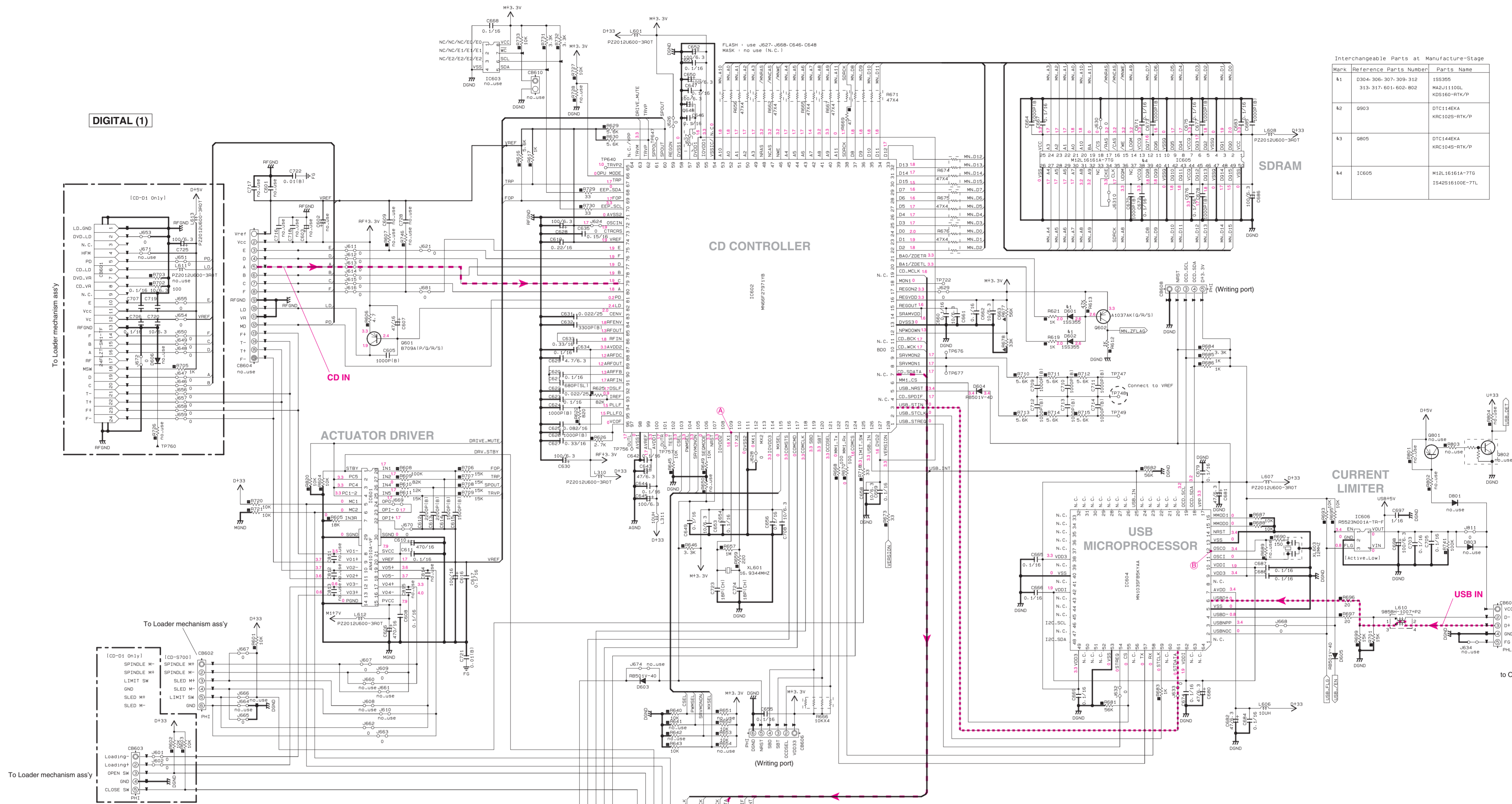


OPERATION (9) P.C.B. (Side A)



OPERATION (9) P.C.B. (Side B)





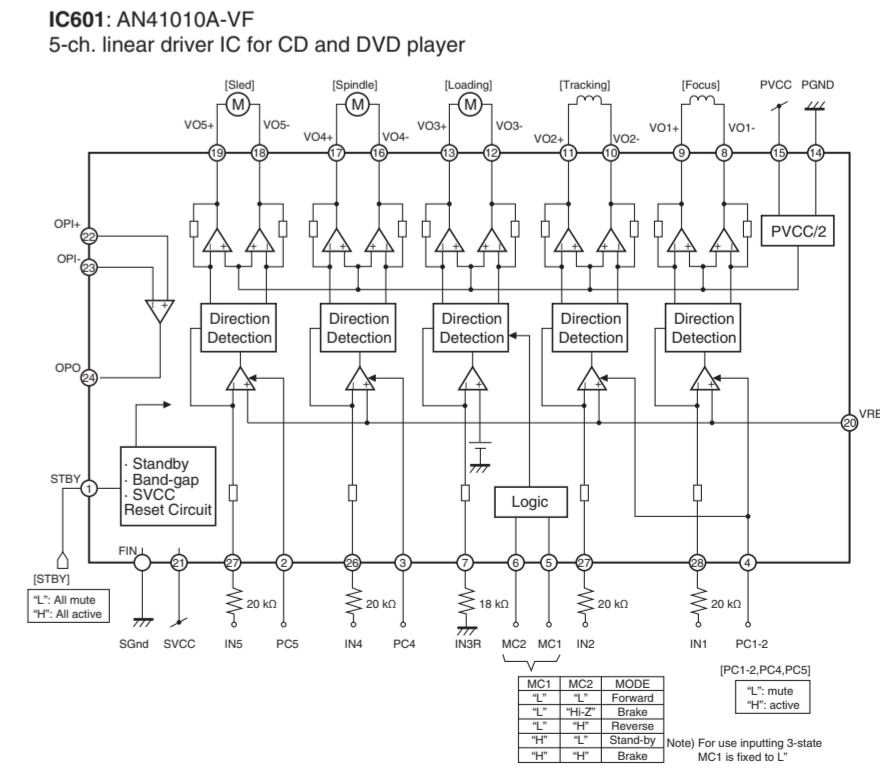
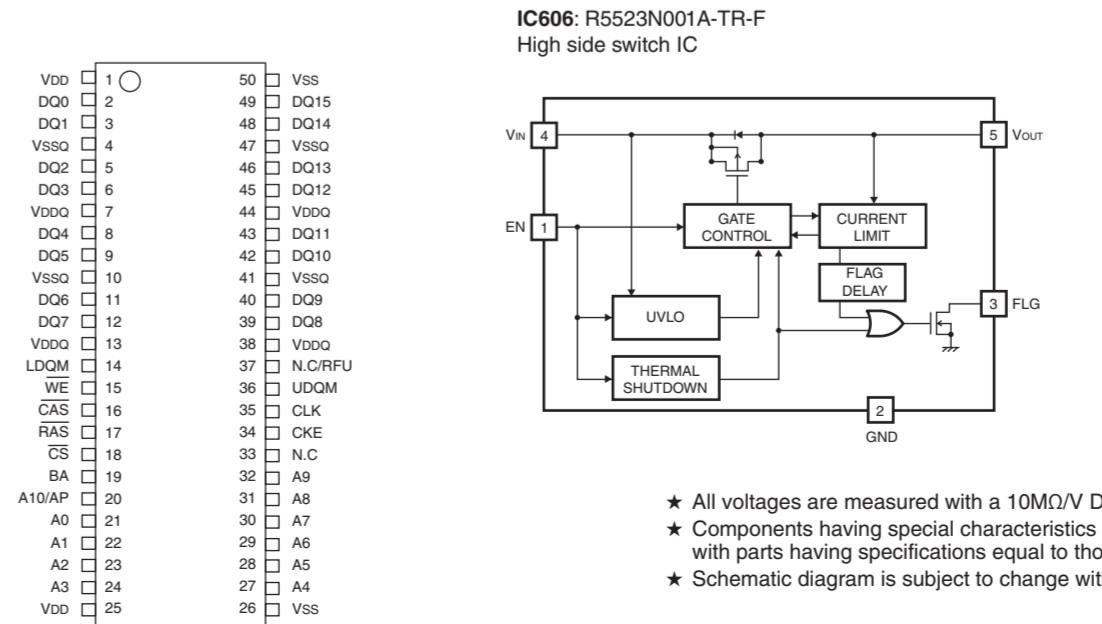
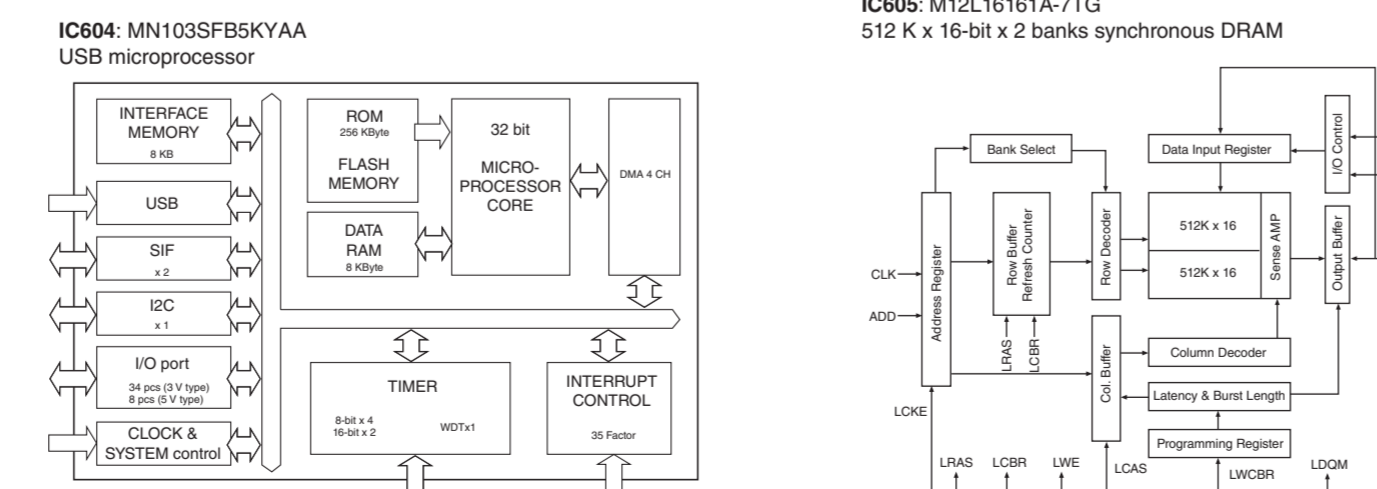
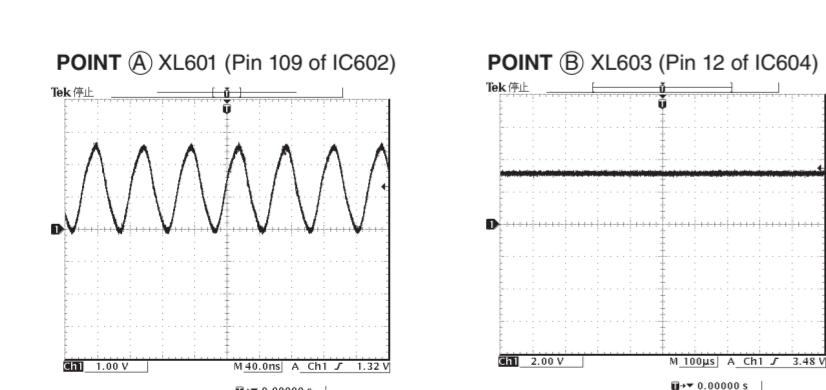
Interchangeable Parts at Manufacture Stage

Mark	Reference Parts Number	Parts Name
K1	D304-306-307-309-312 313-317-601-602-802	ISS395 MA2J1110GL KDS160-RTK/P
K2	D903	DT114EK4 KRC102S-RTK/P
K3	D805	DT114EK4 KRC104S-RTK/P
K4	IC605	M12L16161A-7TG IS42S16100C-7TL

REMARKS	PARTS NAME
NO MARK	CARBON FILM RESISTOR (P=5)
△	CARBON FILM RESISTOR (P=10)
□	METAL OXIDE FILM RESISTOR
⊠	METAL FILM RESISTOR
⊡	METAL PLATE RESISTOR
⊞	FIRE PROOF CARBON FILM RESISTOR
⊞	CEMENT MOLDED RESISTOR
⊞	SEMI-VARIABLE RESISTOR
⊞	CHIP RESISTOR

REMARKS	PARTS NAME
NO MARK	ELECTROLYTIC CAPACITOR
⊗	TANTALUM CAPACITOR
⊙	CERAMIC CAPACITOR
⊙	CERAMIC TUBULAR CAPACITOR
⊙	POLYESTER FILM CAPACITOR
⊙	POLYSTYRENE FILM CAPACITOR
⊙	MICA CAPACITOR
⊙	POLYPROPYLENE FILM CAPACITOR
⊙	SEMICONDUCTIVE CERAMIC CAPACITOR

NOTICE (mode1)
(J)..... JAPAN
(U)..... U.S.A
(C)..... CANADA
(R)..... GENERAL
(T)..... CHINA
(K)..... KOREA
(A)..... AUSTRALIA
(B)..... BRITISH
(G)..... EUROPE
(L)..... SINGAPORE
(E)..... SOUTH EUROPE
(V)..... TAIWAN
(F)..... RUSSIAN

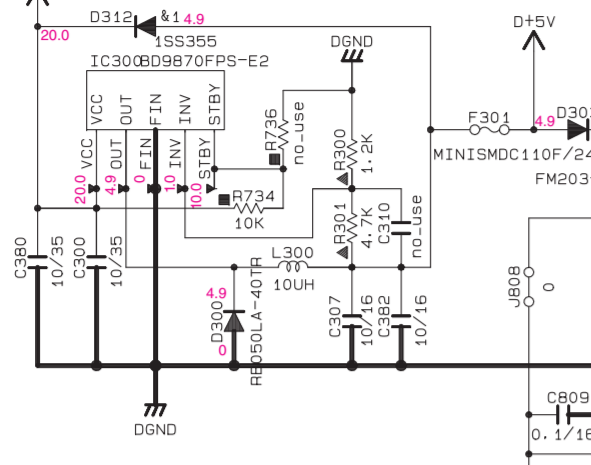


★ All voltages are measured with a 10MΩ DC electronic voltmeter.
★ Components having special characteristics are marked △ and must be replaced with parts having specifications equal to those originally installed.
★ Schematic diagram is subject to change without notice.

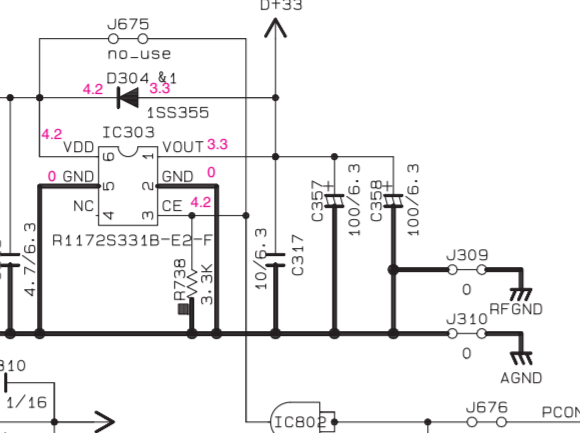
● 電圧は、内部抵抗 10MΩ の電圧計で測定したものです。
● △印のある部品は、安全性確保部品を示しています。部品の交換が必要な場合、パーツリストに記載されている部品を使用してください。
● 本回路図は標準回路図です。改良のため予告なく変更することがございます。

DIGITAL (1)

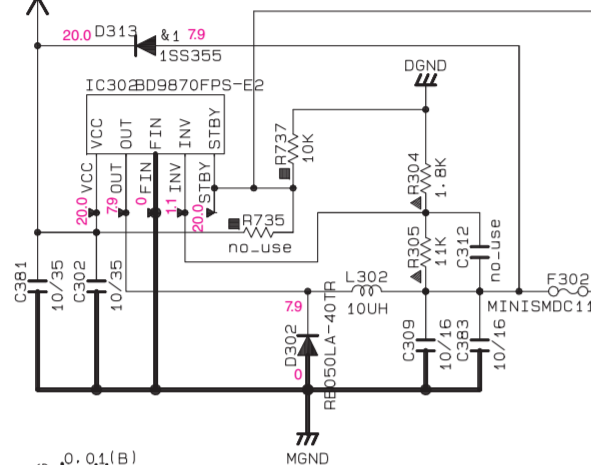
DC/DC CONVERTER



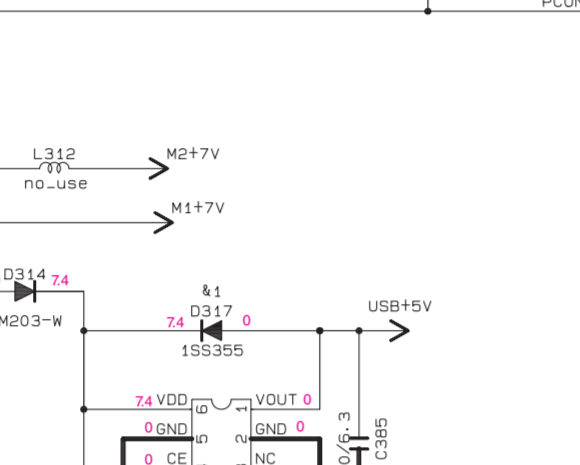
LEGULATOR



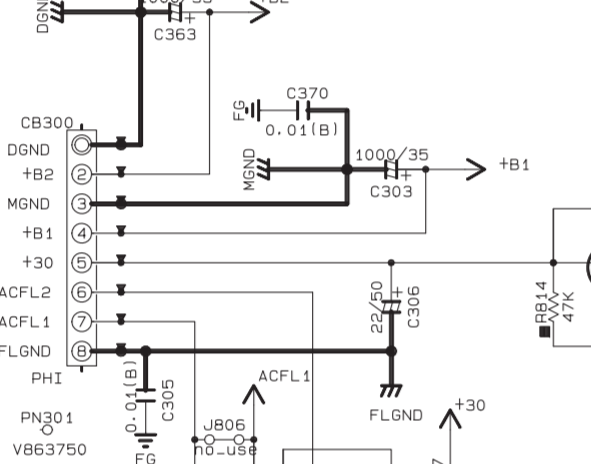
DC/DC CONVERTER



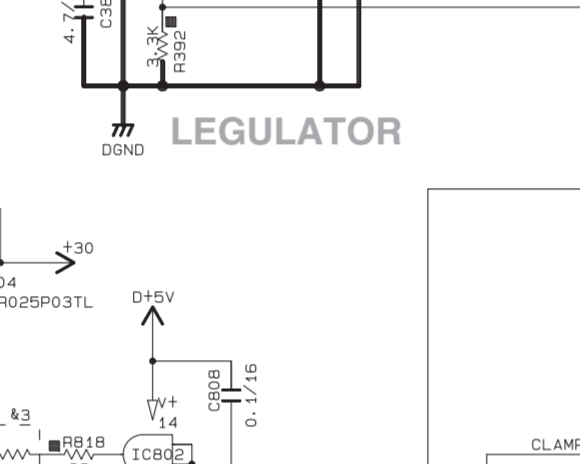
LEGULATOR



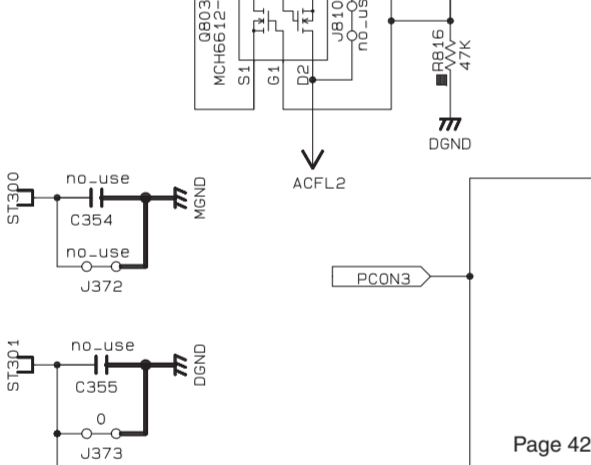
DC/DC CONVERTER



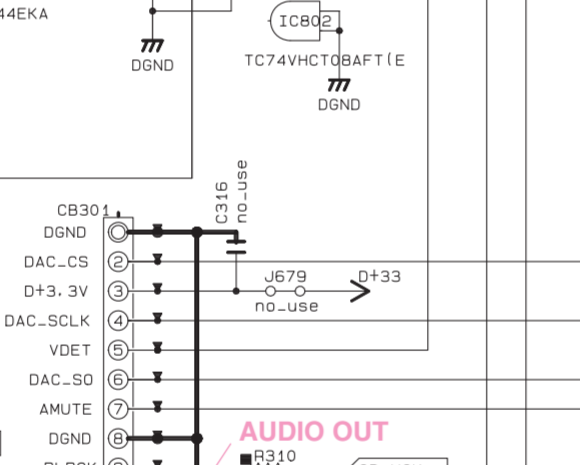
LEGULATOR



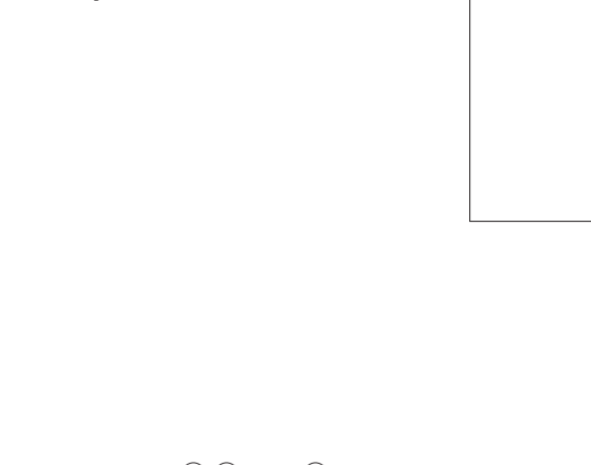
DC/DC CONVERTER



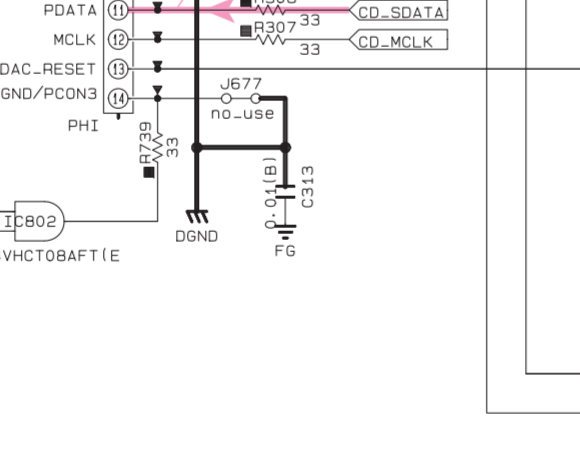
LEGULATOR



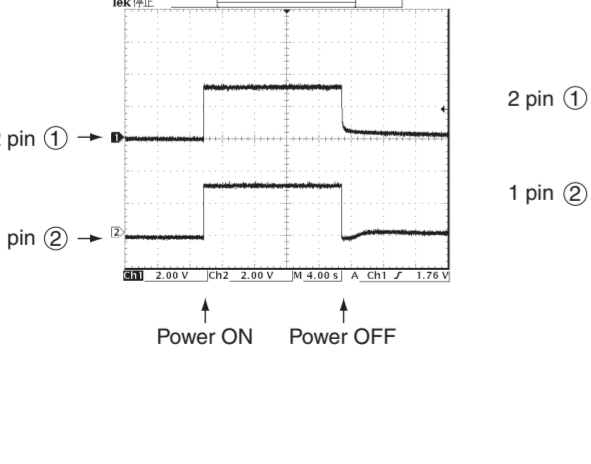
DC/DC CONVERTER



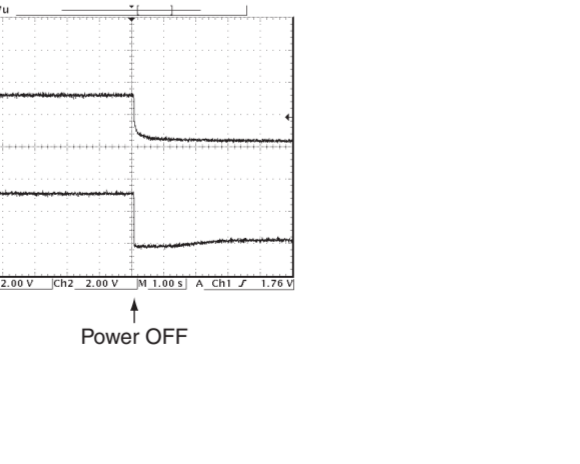
LEGULATOR



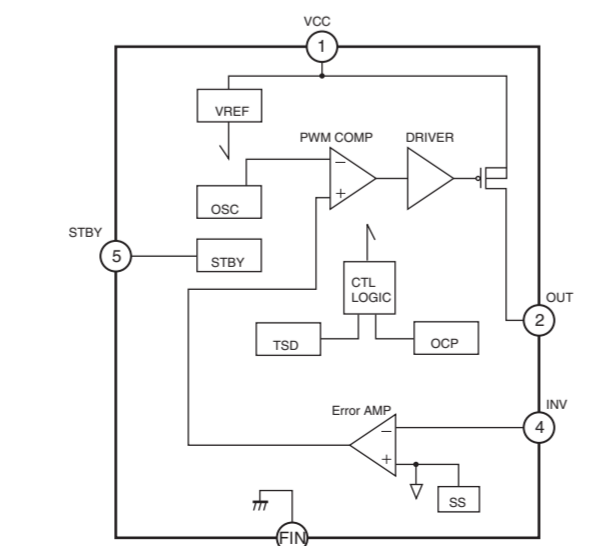
DC/DC CONVERTER



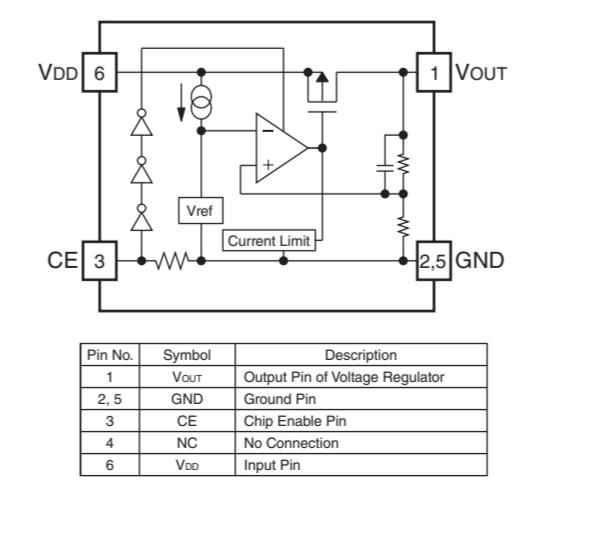
LEGULATOR



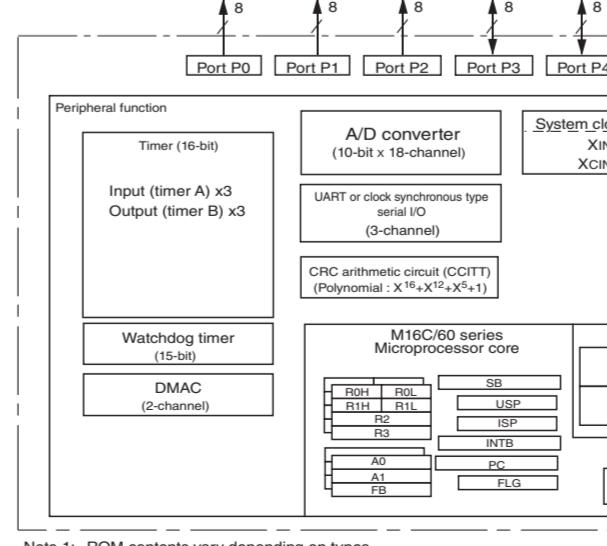
IC300, 302: BD9870FPS-E2 High stand voltage 1 channel step-down switching regulator



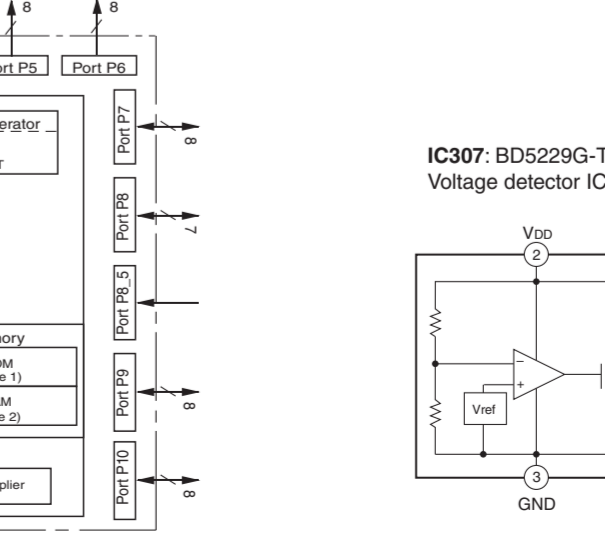
IC303: R1172S331B-E2-F CMOS-based positive-voltage regulator IC



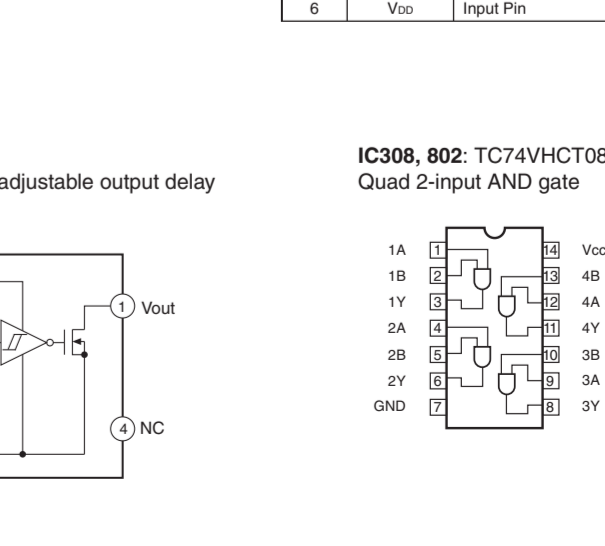
IC304: M30302FAPFP Single-chip 16-bit microprocessor



IC307: BD5229G-TR Voltage detector IC with adjustable output delay



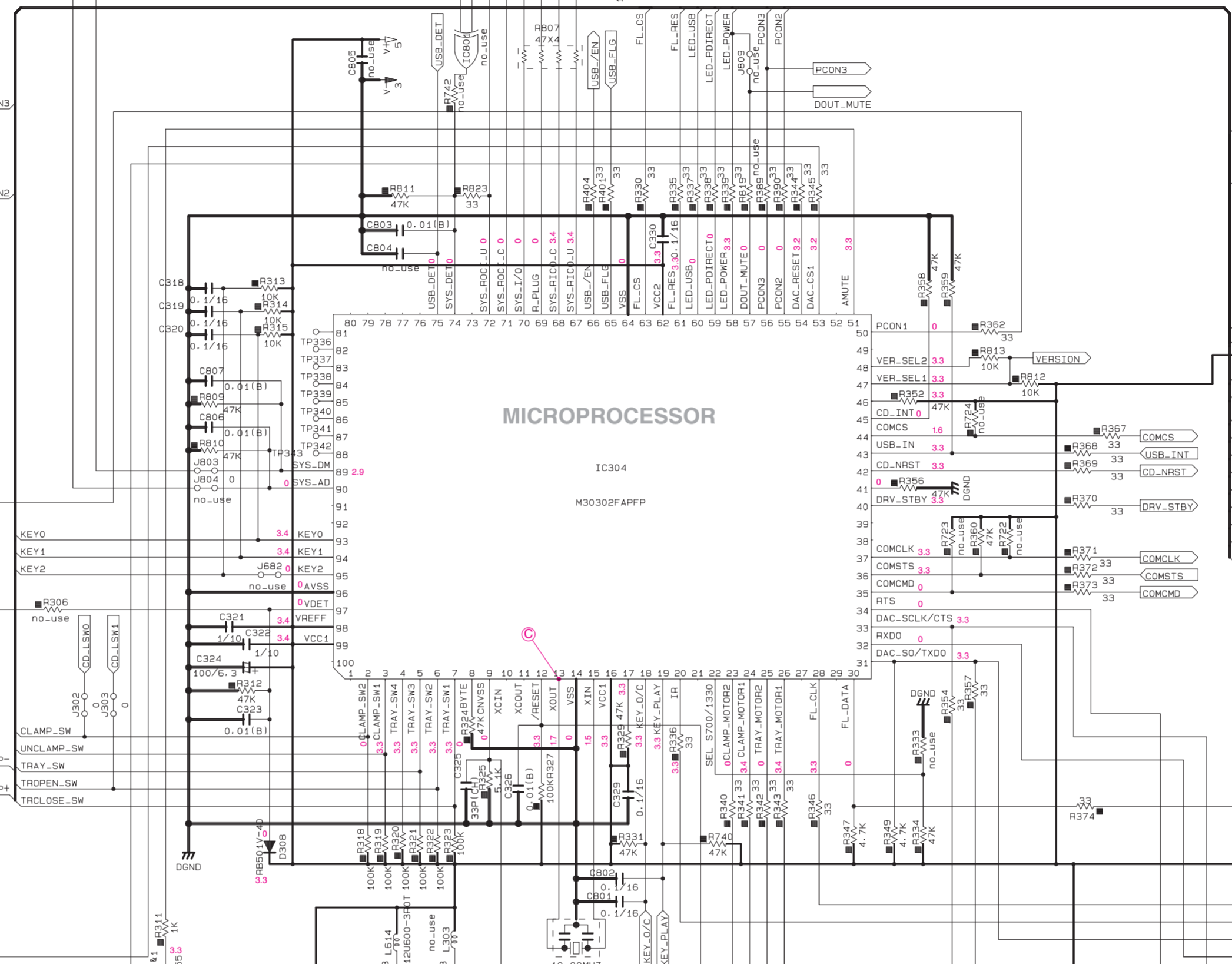
IC308, 802: TC74VHC08AFT Quad 2-input AND gate



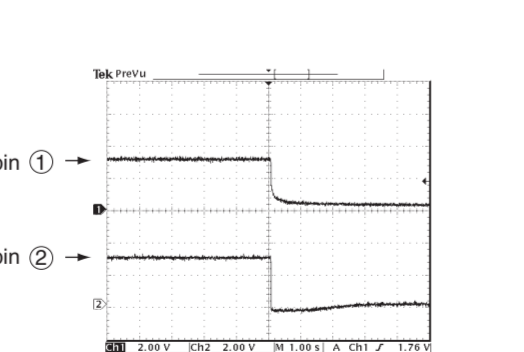
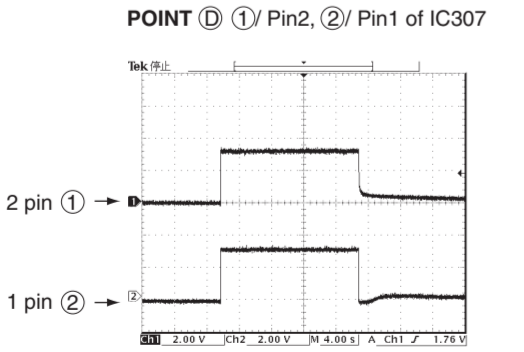
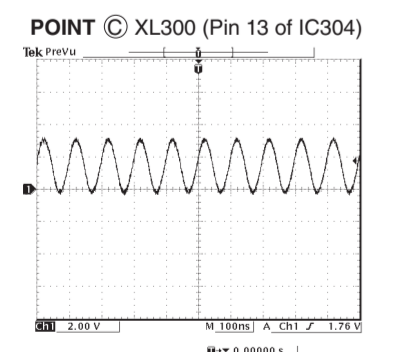
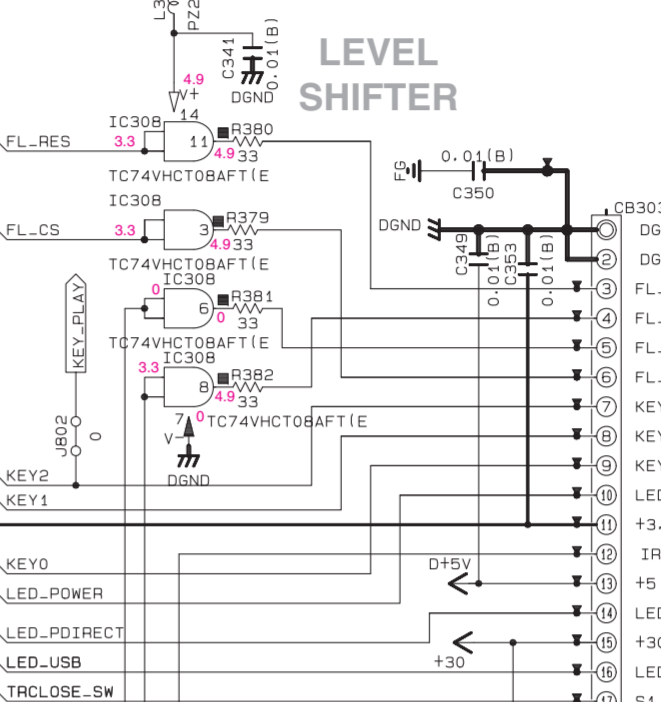
RESISTOR table with columns for REMARKS, PARTS NAME, and values like CARBON FILM RESISTOR (P=5), METAL OXIDE FILM RESISTOR, etc.

CAPACITOR table with columns for REMARKS, PARTS NAME, and values like ELECTROLYTIC CAPACITOR, TANTALUM CAPACITOR, etc.

NOTICE (model) table with columns for symbol and country/region like JAPAN, U.S.A, CANADA, etc.



LEVEL SHIFTER

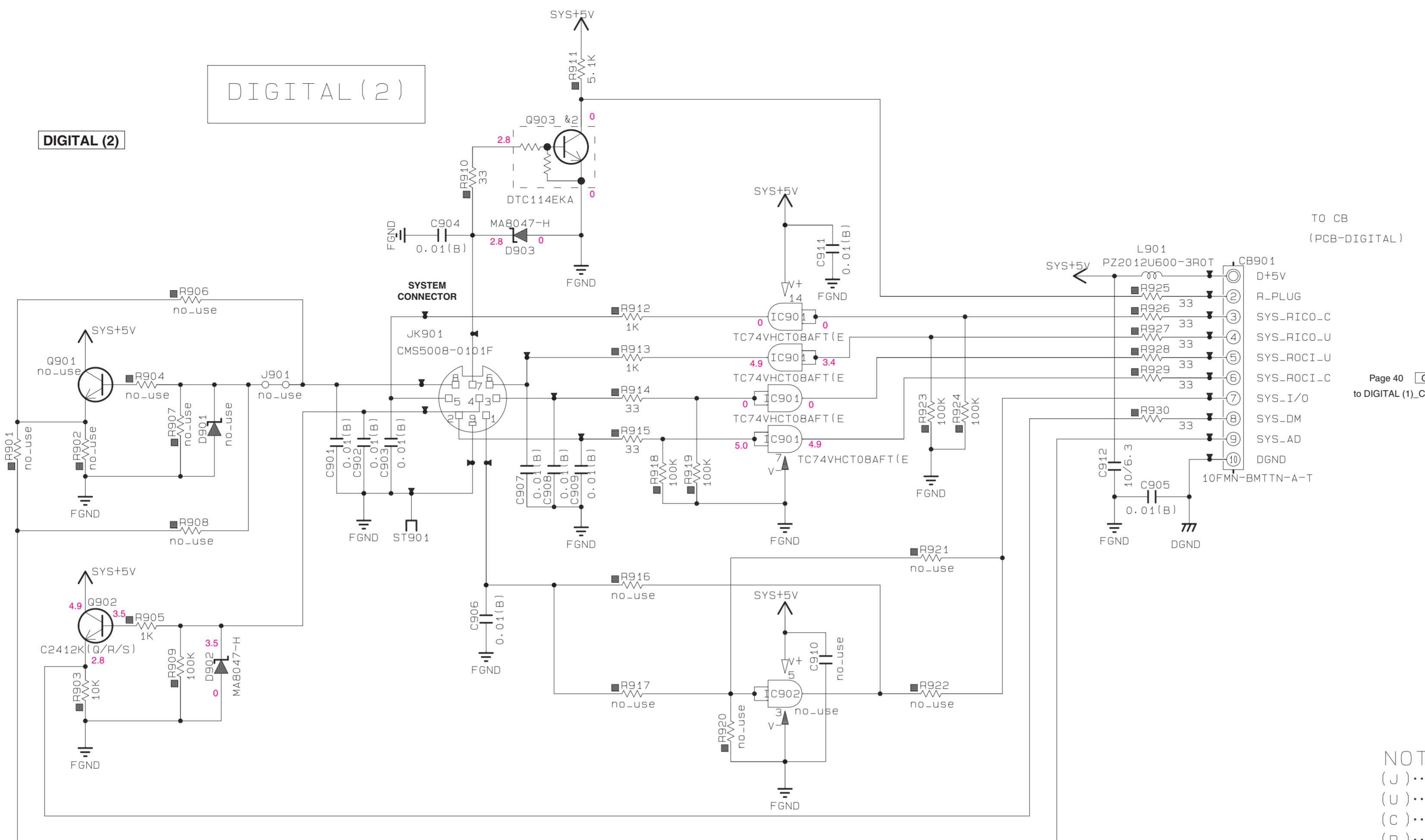


All voltages are measured with a 10MΩ/V DC electronic voltmeter. Components having special characteristics are marked Δ and must be replaced with parts having specifications equal to those originally installed.

電圧は、内部抵抗 10MΩ の電圧計で測定したものです。 Δ印のある部品は、安全性確保部品を示しています。部品の交換が必要な場合、パーツリストに記載されている部品を使用してください。本回路図は標準回路図です。改良のため予告なく変更することがございます。

Note 1: ROM contents vary depending on types. Note 2: RAM contents vary depending on types.

DIGITAL 3/3



TO CB
(PCB-DIGITAL)

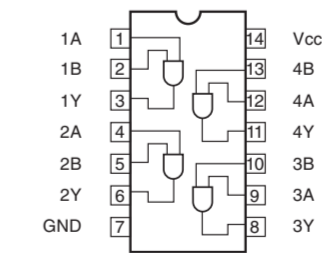
Page 40 G1
to DIGITAL (1)_CB801

NOTICE (model)
(J)..... JAPAN
(U)..... U. S. A
(C)..... CANADA
(R)..... GENERAL
(T)..... CHINA
(K)..... KOREA
(A)..... AUSTRALIA
(B)..... BRITISH
(G)..... EUROPE
(L)..... SINGAPORE
(E)..... SOUTH EUROPE
(V)..... TAIWAN
(F)..... RUSSIAN

REMARKS	PARTS NAME
NO MARK	CARBON FILM RESISTOR (P=5)
□	CARBON FILM RESISTOR (P=10)
△	METAL OXIDE FILM RESISTOR
▲	METAL FILM RESISTOR
⊠	METAL PLATE RESISTOR
▨	FIRE PROOF CARBON FILM RESISTOR
□	CEMENT MOLDED RESISTOR
⊙	SEMI VARIABLE RESISTOR
■	CHIP RESISTOR

REMARKS	PARTS NAME
NO MARK	ELECTROLYTIC CAPACITOR
⊗	TANTALUM CAPACITOR
NO MARK	CERAMIC CAPACITOR
●	CERAMIC TUBULAR CAPACITOR
◎	POLYESTER FILM CAPACITOR
○	POLYSTYRENE FILM CAPACITOR
⊖	MICA CAPACITOR
⊕	POLYPROPYLENE FILM CAPACITOR
⊙	SEMICONDUCTIVE CERAMIC CAPACITOR

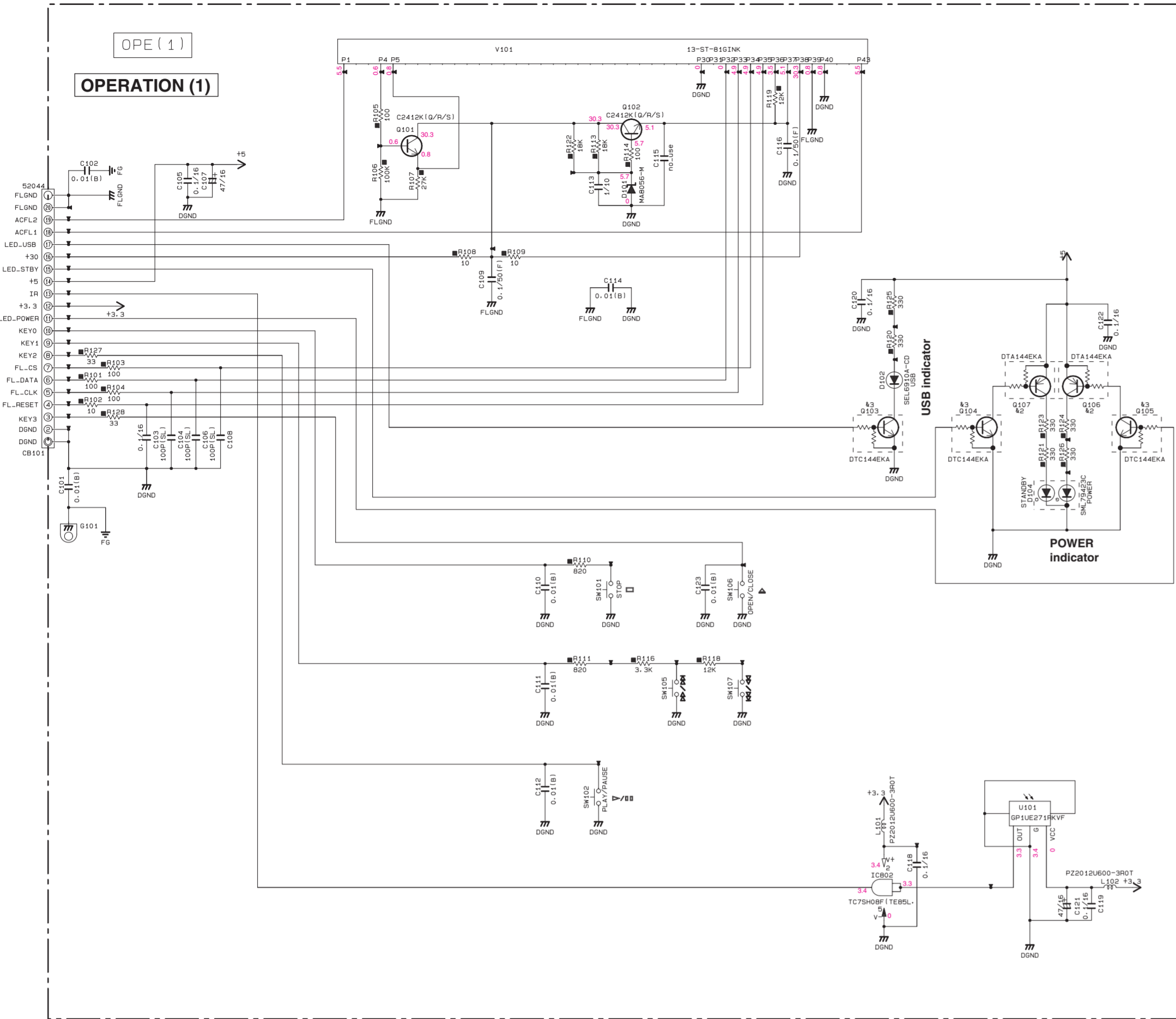
IC901: TC74VHCT08AFT
Quad 2-input AND gate



★ All voltages are measured with a 10MΩ/V DC electronic voltmeter.
★ Components having special characteristics are marked Δ and must be replaced with parts having specifications equal to those originally installed.
★ Schematic diagram is subject to change without notice.

● 電圧は、内部抵抗 10MΩの電圧計で測定したものです。
● △印のある部品は、安全性確保部品を示しています。部品の交換が必要な場合、パーツリストに記載されている部品を使用してください。
● 本回路図は標準回路図です。改良のため予告なく変更することがございます。

OPERATION 1/2



RESISTOR

REMARKS	PARTS NAME
NO MARK	CARBON FILM RESISTOR (P=5)
□	CARBON FILM RESISTOR (P=10)
△	METAL OXIDE FILM RESISTOR
◇	METAL FILM RESISTOR
⊠	METAL PLATE RESISTOR
■	FINE PROOF CARBON FILM RESISTOR
□	CEMENT MOLDED RESISTOR
⊙	SEMI VARIABLE RESISTOR
■	CHIP RESISTOR

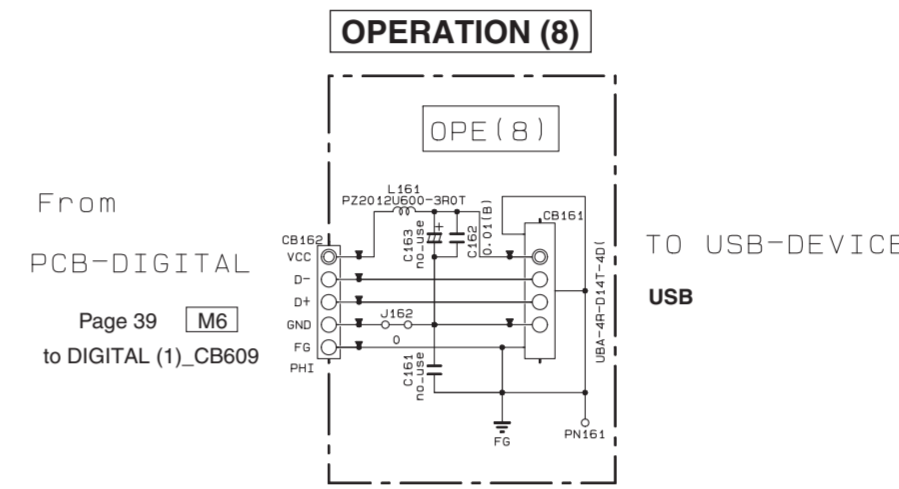
NOTICE (mode1)
 (J)..... JAPAN
 (U)..... U.S.A
 (C)..... CANADA
 (R)..... GENERAL
 (T)..... CHINA
 (K)..... KOREA
 (A)..... AUSTRALIA
 (B)..... BRITISH
 (G)..... EUROPE
 (L)..... SINGAPORE
 (E)..... SOUTH EUROPE
 (V)..... TAIWAN
 (F)..... RUSSIAN

CAPACITOR

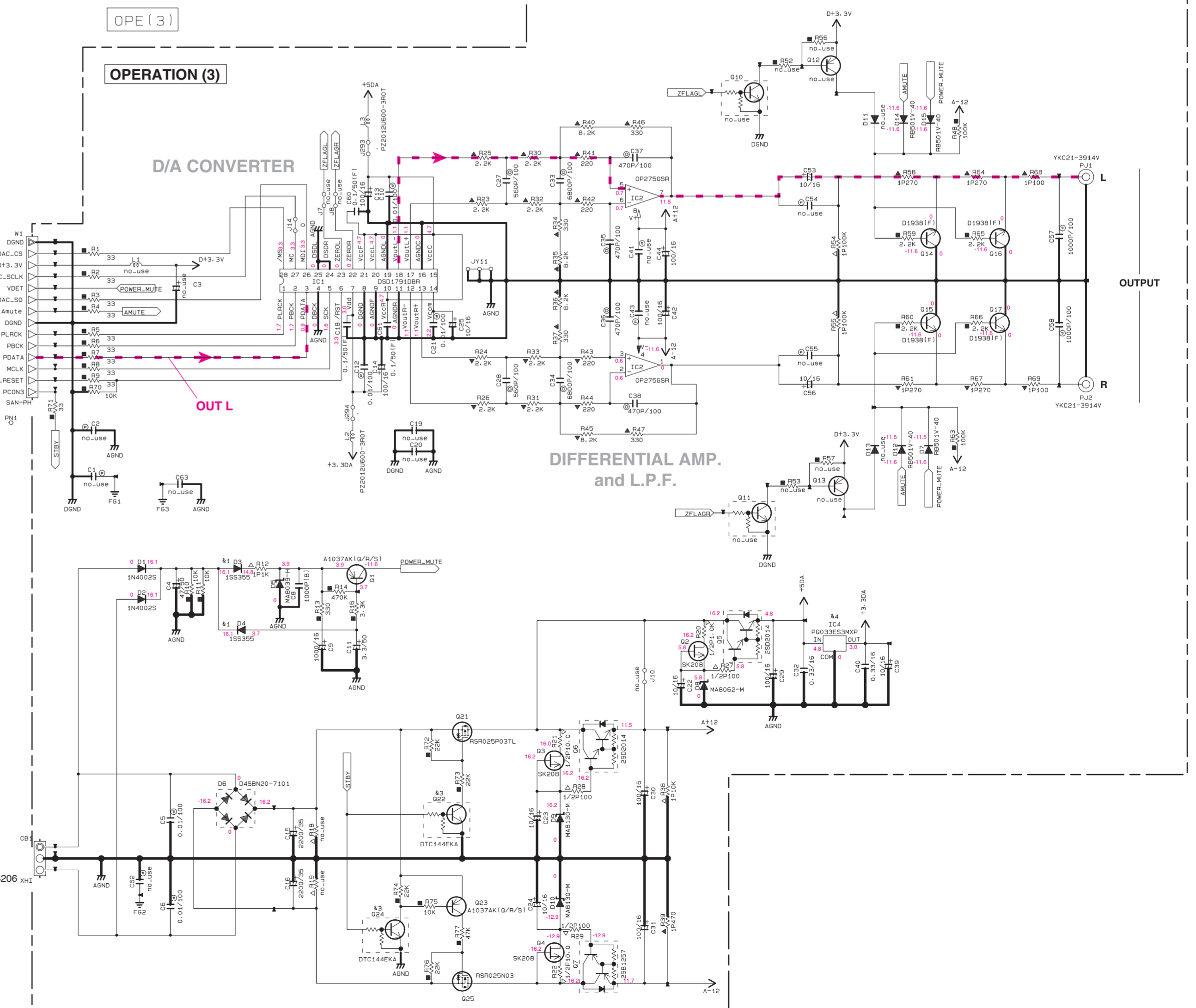
REMARKS	PARTS NAME
NO MARK	ELECTROLYTIC CAPACITOR
○	TANTALUM CAPACITOR
●	CERAMIC CAPACITOR
⊙	CERAMIC TUBULAR CAPACITOR
⊖	POLYESTER FILM CAPACITOR
⊕	POLYSTYRENE FILM CAPACITOR
⊗	MICA CAPACITOR
⊘	POLYPROPYLENE FILM CAPACITOR
⊙	SEMICONDUCTIVE CERAMIC CAPACITOR

Interchangeable Parts at Manufacture-Stage

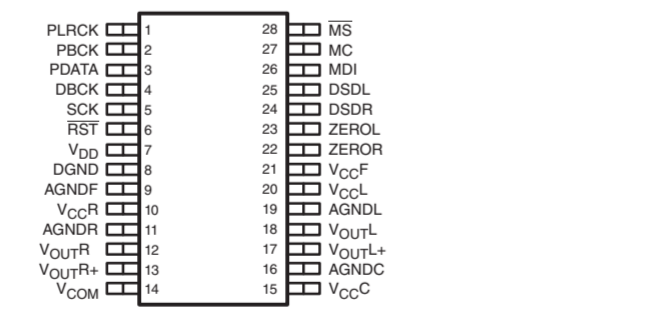
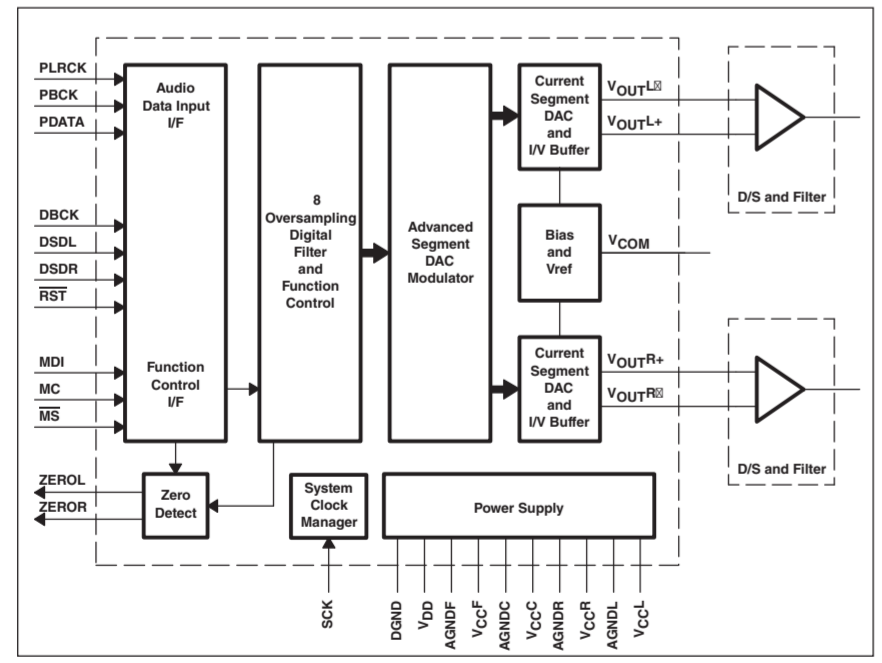
Mark	Reference Parts Number	Parts Name
K1	D3-4	ISS386 MAU11100L KDS160-RTK/P
K2	Q106-107	DTA144EKA KRC104S-RTK/P
K3	Q20-24-103-105	DTA144EKA KRC104S-RTK/P
K4	IC4	PQ033ES3MXP PQ033ES1MXP



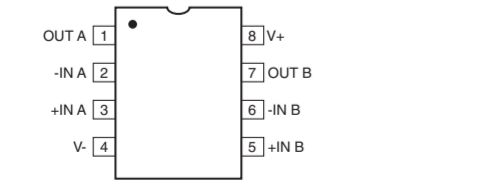
From PCB-DIGITAL Page 39 to DIGITAL (1)_CB609



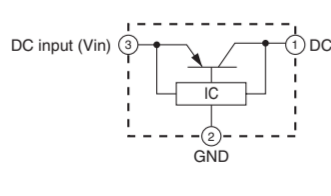
IC1: DSD1791DBR
 24-bit, 192 kHz sampling, advanced segment, audio stereo digital-to-analog converter



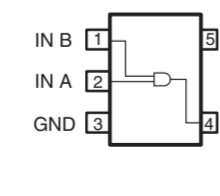
IC2: OP275GSR
 Dual bipolar/JFET, audio operational amplifier



IC4: PQ033ES3MXP
 Low power loss regulator



IC802: TC7SH08F
 2-input AND gate



Page 40 D7
 to DIGITAL (1)_CB301

Page 43 J3
 to OPERATION (4)_CB206

* All voltages are measured with a 10MΩ/V DC electronic voltmeter.
 * Components having special characteristics are marked Δ and must be replaced with parts having specifications equal to those originally installed.
 * Schematic diagram is subject to change without notice.

● 電圧は、内部抵抗 10MΩの電圧計で測定したものです。
 ● Δ印のある部品は、安全性確保部品を示しています。部品の交換が必要な場合、パーツリストに記載されている部品を使用してください。
 ● 本回路図は標準回路図です。改良のため予告なく変更することがございます。

OPERATION 2/2

Destination Part List

sXX	LOC	J	U	TK	AG	L
s1	W204B W204A	X	X	X	X	MH14030
s2	W202B W202A	X	X	X	X	MH18030
s3	W203B W203A	X	X	X	X	MH11030
s4	SW203	X	X	X	X	WC90670 SDKPA40300
s5	ST202	X	X	X	X	V404050
s6	ST201	X	X	X	X	V404050
s7	J201	X	VN50000	X	VN50000	X
s8	J202	VN50000	X	VN50000	X	X
s9	T201	X9928A0 X9928	X9928A0 X9928	X9929A0 X9929	X9929A0 X9929	X9929A0 X9929
s10	R203	HV7536 5.6	HV7536B 5.6	HV7536 5.6	HV7536 5.6	HV7536 5.6
s11	R204	HV7536 5.6	HV7536B 6.8	HV7536 5.6	HV7536 5.6	HV7536 4.7

CAPACITOR

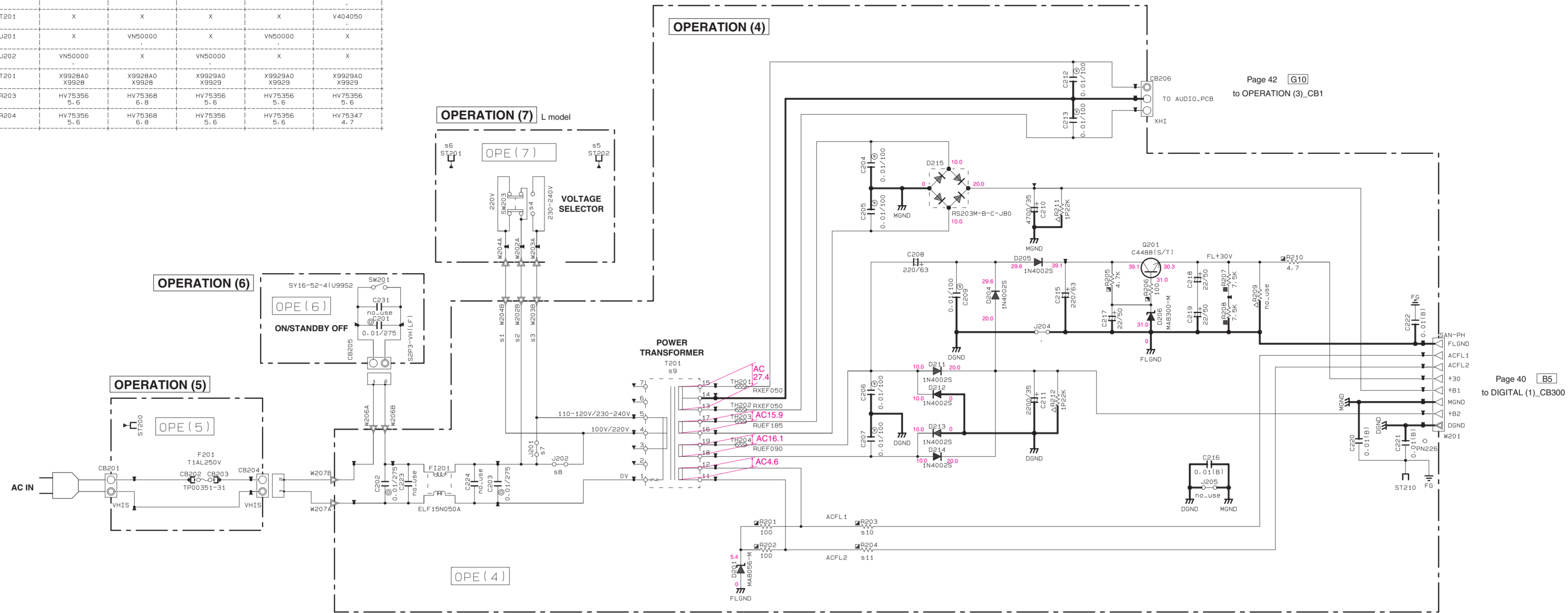
REMARKS	PARTS NAME	
NO MARK	ELECTROLYTIC CAPACITOR	II
⊗	TANTALUM CAPACITOR	
NO MARK	CERAMIC CAPACITOR	
●	CERAMIC TUBULAR CAPACITOR	
⊙	POLYESTER FILM CAPACITOR	
○	POLYSTYRENE FILM CAPACITOR	
①	MICA CAPACITOR	
⊖	POLYPROPYLENE FILM CAPACITOR	
⊕	SEMICONDUCTIVE CERAMIC CAPACITOR	

NOTICE (model)

(J)..... JAPAN
 (U)..... U. S. A
 (C)..... CANADA
 (R)..... GENERAL
 (T)..... CHINA
 (K)..... KOREA
 (A)..... AUSTRALIA
 (B)..... BRITISH
 (G)..... EUROPE
 (L)..... SINGAPORE
 (E)..... SOUTH EUROPE
 (V)..... TAIWAN
 (F)..... RUSSIAN

RESISTOR

REMARKS	PARTS NAME	
NO MARK	CARBON FILM RESISTOR (P=5)	
⊠	CARBON FILM RESISTOR (P=10)	
△	METAL OXIDE FILM RESISTOR	
▲	METAL FILM RESISTOR	
⊠	METAL PLATE RESISTOR	
⊠	FIRE PROOF CARBON FILM RESISTOR	
⊠	CEMENT MOLDED RESISTOR	
⊠	SEMI VARIABLE RESISTOR	
⊠	CHIP RESISTOR	

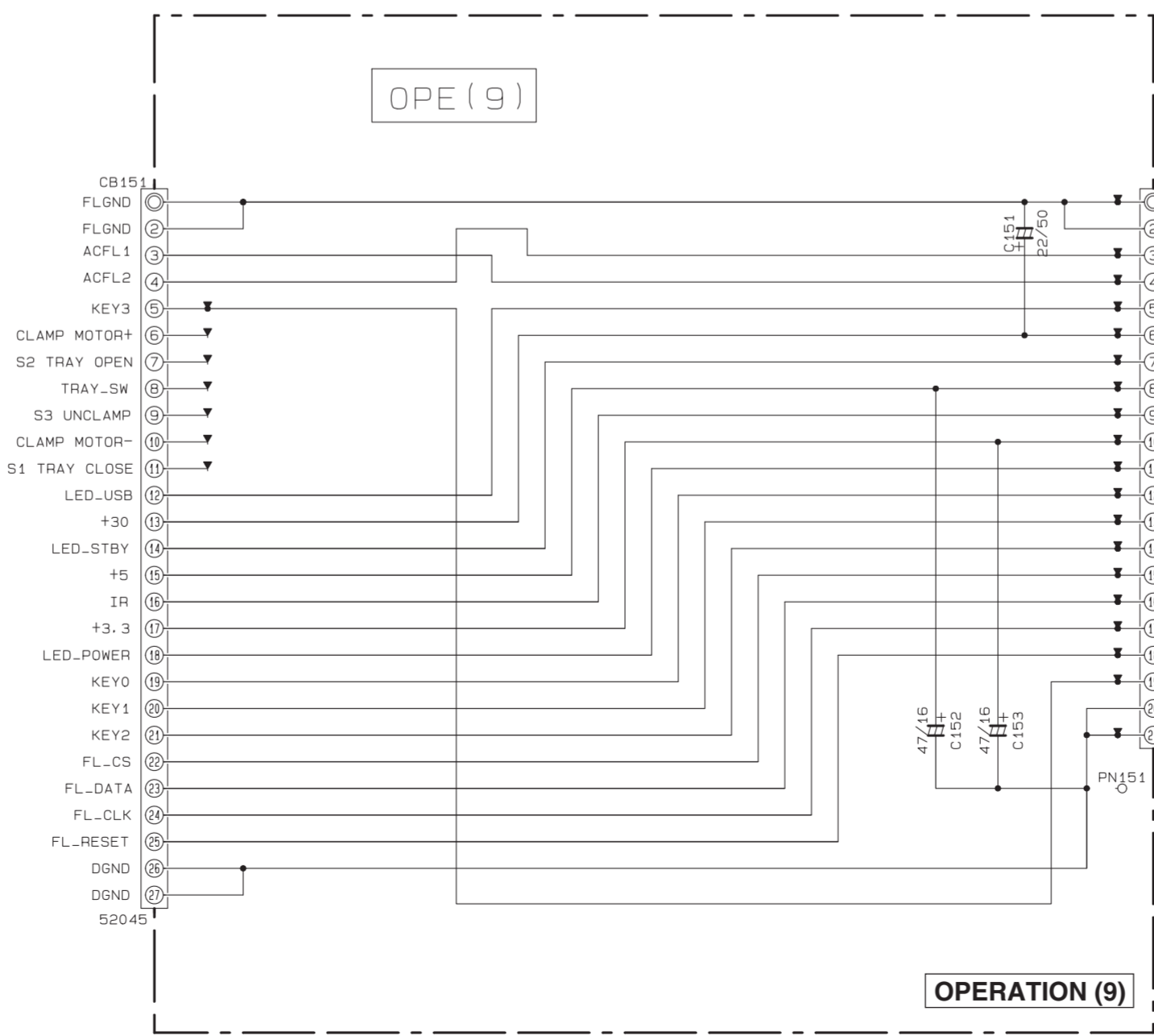


Page 42 **G10**
to OPERATION (3)_CB1

Page 40 **B5**
to DIGITAL (1)_CB300

Page 40 **M4**
to DIGITAL (1)_CB303

Page 42 **A2**
to OPERATION (1)_CB101



★ All voltages are measured with a 10MΩ/V DC electronic voltmeter.
 ★ Components having special characteristics are marked Δ and must be replaced with parts having specifications equal to those originally installed.
 ★ Schematic diagram is subject to change without notice.

● 電圧は、内部抵抗 10MΩの電圧計で測定したものです。
 ● Δ印のある部品は、安全性確保部品を示しています。部品の交換が必要な場合、パーツリストに記載されている部品を使用してください。
 ● 本回路図は標準回路図です。改良のため予告なく変更することがございます。

■ REPLACEMENT PARTS LIST

● ELECTRICAL COMPONENT PARTS

WARNING

- Components having special characteristics are marked Δ and must be replaced with parts having specifications equal to those originally installed.
- Δ 印のある部分は、安全確保部品を示しています。部品の交換が必要な場合、パーツリストに記載されている部品を使用してください。
- 部品価格ランクは、予告なく変更することがあります。

ABBREVIATIONS IN THIS LIST ARE AS FOLLOWS:

C.A.EL.CHP	: CHIP ALUMI.ELECTROLYTIC CAP	L.EMIT	: LIGHT EMITTING MODULE
C.CE	: CERAMIC CAP	LED.DSPLY	: LED DISPLAY
C.CE.ARRAY	: CERAMIC CAP ARRAY	LED.INFRD	: LED,INFRARED
C.CE.CHP	: CHIP CERAMIC CAP	MODUL.RF	: MODULATOR,RF
C.CE.ML	: MULTILAYER CERAMIC CAP	PHOT.CPL	: PHOTO COUPLER
C.CE.M.CHP	: CHIP MULTILAYER CERAMIC CAP	PHOT.INTR	: PHOTO INTERRUPTER
C.CE.SAFTY	: RECOGNIZED CERAMIC CAP	PHOT.RFLCT	: PHOTO REFLECTOR
C.CE.TUBLR	: CERAMIC TUBULAR CAP	PIN.TEST	: PIN,TEST POINT
C.CE.SMI	: SEMI CONDUCTIVE CERAMIC CAP	PLST.RIVET	: PLASTIC RIVET
C.EL	: ELECTROLYTIC CAP	R.ARRAY	: RESISTOR ARRAY
C.MICA	: MICA CAP	R.CAR.	: CARBON RESISTOR
C.ML.FLM	: MULTILAYER FILM CAP	R.CAR.CHP	: CHIP RESISTOR
C.MP	: METALLIZED PAPER CAP	R.CAR.FP	: FLAME PROOF CARBON RESISTOR
C.MYLAR	: MYLAR FILM CAP	R.FUS	: FUSABLE RESISTOR
C.MYLAR.ML	: MULTILAYER MYLAR FILM CAP	R.MTL.CHP	: CHIP METAL FILM RESISTOR
C.PAPER	: PAPER CAPACITOR	R.MTL.FLM	: METAL FILM RESISTOR
C.PLS	: POLYSTYRENE FILM CAP	R.MTL.OXD	: METAL OXIDE FILM RESISTOR
C.POL	: POLYESTER FILM CAP	R.MTL.PLAT	: METAL PLATE RESISTOR
C.POLY	: POLYETHYLENE FILM CAP	RSNR.CE	: CERAMIC RESONATOR
C.PP	: POLYPROPYLENE FILM CAP	RSNR.CRYS	: CRYSTAL RESONATOR
C.TNTL	: TANTALUM CAP	R.TW.CEM	: TWIN CEMENT FIXED RESISTOR
C.TNTL.CHP	: CHIP TANTALUM CAP	R.CEMENT	: CEMENT RESISTOR
C.TRIM	: TRIMMER CAP	SCR.BND.HD	: BIND HEAD B-TIGHT SCREW
CN	: CONNECTOR	SCR.BW.HD	: BW HEAD TAPPING SCREW
CN.BS.PIN	: CONNECTOR,BASE PIN	SCR.CUP	: CUP TIGHT SCREW
CN.CANNON	: CONNECTOR,CANNON	SCR.TERM	: SCREW TERMINAL
CN.DIN	: CONNECTOR,DIN	SCR.TR	: SCREW,TRANSISTOR
CN.FLAT	: CONNECTOR,FLAT CABLE	SUPRT.PCB	: SUPPORT,P.C.B.
CN.POST	: CONNECTOR,BASE POST	SURG.PRTCT	: SURGE PROTECTOR
COIL.MX.AM	: COIL,AM MIX	SW.TACT	: TACT SWITCH
COIL.AT.FM	: COIL,FM ANTENNA	SW.LEAF	: LEAF SWITCH
COIL.DT.FM	: COIL,FM DETECT	SW.LEVER	: LEVER SWITCH
COIL.MX.FM	: COIL,FM MIX	SW.MICRO	: MICRO SWITCH
COIL.OUTPT	: OUTPUT COIL	SW.PUSH	: PUSH SWITCH
DIOD.ARRAY	: DIODE ARRAY	SW.RT.ENC	: ROTARY ENCODER
DIODE.BRG	: DIODE BRIDGE	SW.RT.MTR	: ROTARY SWITCH WITH MOTOR
DIODE.CHP	: CHIP DIODE	SW.RT	: ROTARY SWITCH
DIODE.VAR	: VARACTOR DIODE	SW.SLIDE	: SLIDE SWITCH
DIOD.Z.CHP	: CHIP ZENER DIODE	TERM.SP	: SPEAKER TERMINAL
DIODE.ZENR	: ZENER DIODE	TERM.WRAP	: WRAPPING TERMINAL
DSCR.CE	: CERAMIC DISCRIMINATOR	THRMST.CHP	: CHIP THERMISTOR
FER.BEAD	: FERRITE BEADS	TR.CHP	: CHIP TRANSISTOR
FER.CORE	: FERRITE CORE	TR.DGT	: DIGITAL TRANSISTOR
FET.CHP	: CHIP FET	TR.DGT.CHP	: CHIP DIGITAL TRANSISTOR
FL.DSPLY	: FLUORESCENT DISPLAY	TRANS	: TRANSFORMER
FLTR.CE	: CERAMIC FILTER	TRANS.PULS	: PULSE TRANSFORMER
FLTR.COMB	: COMB FILTER MODULE	TRANS.PWR	: POWER TRANSFORMER ASS'Y
FLTR.LC.RF	: LC FILTER,EMI	TUNER.AM	: TUNER PACK,AM
GND.MTL	: GROUND PLATE	TUNER.FM	: TUNER PACK,FM
GND.TERM	: GROUND TERMINAL	TUNER.PK	: FRONT-ENDTUNER PACK
HOLDER.FUS	: FUSE HOLDER	VR	: ROTARY POTENTIOMETER
IC.PRTCT	: IC PROTECTOR	VR.MTR	: POTENTIOMETER WITH MOTOR
JUMPER.CN	: JUMPER CONNECTOR	VR.SW	: POTENTIOMETER WITH ROTARY SW
JUMPER.TST	: JUMPER,TEST POINT	VR.SLIDE	: SLIDE POTENTIOMETER
L.DTCT	: LIGHT DETECTING MODULE	VR.TRIM	: TRIMMER POTENTIOMETER

P.C.B. DIGITAL

Ref No.	Part No.	Description	Remarks	Markets	部 品 名	ランク
*	WQ596900	P. C. B.	DIGITAL		P C B D I G I T A L	
CB300	VB390400	CN. BS. PIN	8P		ベースピン	01
CB301	VE352600	CN. BS. PIN	14P		コネクタベースポスト	01
CB303	VQ045600	CN. BS. PIN	27P SE		F F Cコネクタ	03
CB304	VP682300	CN. BS. PIN	8P		F F Cコネクタ	01
CB601	WQ289300	CN	24P TE		F F C / F P Cコネクタ	
CB602	VB390200	CN. BS. PIN	6P		コネクタベースポスト	01
CB603	VB390100	CN. BS. PIN	5P		ベースピン	01
CB606	VB390200	CN. BS. PIN	6P		コネクタベースポスト	01
CB608	VB390100	CN. BS. PIN	5P		ベースピン	01
CB609	VB858400	CN. BS. PIN	5P		ベースピン	01
* CB801	WQ601000	CN	10P TE		F M Nコネクタ	
* CB901	WQ601000	CN	10P TE		F M Nコネクタ	
C300	WM489900	C. CE. CHP	10uF 35V		チップセラコン	
C302	WM489900	C. CE. CHP	10uF 35V		チップセラコン	
C303	UR259100	C. EL	1000uF 35V		ケミコン	
C304-305	US064100	C. CE. CHP	0. 01uF 50V B		チップセラコン	01
C306	WG782400	C. EL	22uF 50V		ケミコン	
C307	WK004400	C. CE. M. CHP	10uF 16V		チップ積層セラコン	01
C309	WK004400	C. CE. M. CHP	10uF 16V		チップ積層セラコン	01
C313	US064100	C. CE. CHP	0. 01uF 50V B		チップセラコン	01
C315	WG251600	C. CE. CHP	4. 7uF 6. 3V		チップセラコン	01
* C317	WP882000	C. CE. CHP	10uF 6. 3V		チップセラコン	
C318-320	US135100	C. CE. CHP	0. 1uF 16V		チップセラコン	01
C321-322	US126100	C. CE. CHP	1uF 10V		チップセラコン	01
C323	US064100	C. CE. CHP	0. 01uF 50V B		チップセラコン	01
C324	UF418100	C. EL. CHP	100uF 6. 3V		チップケミコン	01
C325	US061330	C. CE. CHP	33pF 50V B		チップセラコン	01
C326	US064100	C. CE. CHP	0. 01uF 50V B		チップセラコン	01
C329-330	US135100	C. CE. CHP	0. 1uF 16V		チップセラコン	01
C337	US064100	C. CE. CHP	0. 01uF 50V B		チップセラコン	01
C339	US061330	C. CE. CHP	33pF 50V B		チップセラコン	01
C341	US064100	C. CE. CHP	0. 01uF 50V B		チップセラコン	01
C343-344	US061330	C. CE. CHP	33pF 50V B		チップセラコン	01
C346	US061330	C. CE. CHP	33pF 50V B		チップセラコン	01
C347	US064150	C. CE. CHP	0. 015uF 50V B		チップセラコン	01
C349-350	US064100	C. CE. CHP	0. 01uF 50V B		チップセラコン	01
C353	US064100	C. CE. CHP	0. 01uF 50V B		チップセラコン	01
C356	US064100	C. CE. CHP	0. 01uF 50V B		チップセラコン	01
C357-358	UF418100	C. EL. CHP	100uF 6. 3V		チップケミコン	01
C363	UR259100	C. EL	1000uF 35V		ケミコン	
C370	US064100	C. CE. CHP	0. 01uF 50V B		チップセラコン	01
C380-381	WM489900	C. CE. CHP	10uF 35V		チップセラコン	
C382-383	WK004400	C. CE. M. CHP	10uF 16V		チップ積層セラコン	01
C384	WF456400	C. CE. M. CHP	4. 7uF 16V		チップ積層セラコン	01
* C385	WP882000	C. CE. CHP	10uF 6. 3V		チップセラコン	
C605	US063100	C. CE. CHP	1000pF 50V B		チップセラコン	01
C606	UF138470	C. EL. CHP	470uF 16V		チップケミコン	02
C607	UF437470	C. EL. CHP	47uF 16V		チップケミコン	01
C608	US135100	C. CE. CHP	0. 1uF 16V		チップセラコン	01
C610	UF138470	C. EL. CHP	470uF 16V		チップケミコン	02
C611	US135100	C. CE. CHP	0. 1uF 16V		チップセラコン	01
C612-613	US063220	C. CE. CHP	2200pF 50V B		チップセラコン	01
C614-615	US063150	C. CE. CHP	1500pF 50V B		チップセラコン	01
C616	UF438100	C. EL. CHP	100uF 16V		チップケミコン	01
C617	US135100	C. CE. CHP	0. 1uF 16V		チップセラコン	01
C619	US135220	C. CE. CHP	0. 22uF 16V		チップセラコン	01

* New Parts * 新規部品

P.C.B. DIGITAL

Ref No.	Part No.	Description	Remarks	Markets	部 品 名	ランク	
C620	US135100	C. CE. CHP	0. 1uF	16V		チップセラコン	01
C621	US062680	C. CE. CHP	680pF	50V B		チップセラコン	01
C622	US044220	C. CE. CHP	0. 022uF	25V B		チップセラコン	01
C623	US135100	C. CE. CHP	0. 1uF	16V		チップセラコン	01
C624	US063100	C. CE. CHP	1000pF	50V B		チップセラコン	01
C625	US034820	C. CE. CHP	0. 082uF	16V K		チップセラコン	01
C626	US063100	C. CE. CHP	1000pF	50V B		チップセラコン	01
C627	US135330	C. CE. CHP	0. 33uF	16V		チップセラコン	01
C628	UF418100	C. EL. CHP	100uF	6. 3V		チップケミコン	01
C629	WG251600	C. CE. CHP	4. 7uF	6. 3V		チップセラコン	01
C630	UF418100	C. EL. CHP	100uF	6. 3V		チップケミコン	01
C631	US044220	C. CE. CHP	0. 022uF	25V B		チップセラコン	01
C632	US063330	C. CE. CHP	3300pF	50V B		チップセラコン	01
C633	US135330	C. CE. CHP	0. 33uF	16V		チップセラコン	01
C634	US135100	C. CE. CHP	0. 1uF	16V		チップセラコン	01
C635	US135150	C. CE. CHP	0. 15uF	16V		チップセラコン	01
C642	US135100	C. CE. CHP	0. 1uF	16V		チップセラコン	01
C643	UF417470	C. EL. CHP	47uF	6. 3V		チップケミコン	
C644	US135100	C. CE. CHP	0. 1uF	16V		チップセラコン	01
C645	UF418100	C. EL. CHP	100uF	6. 3V		チップケミコン	01
C646-647	US135100	C. CE. CHP	0. 1uF	16V		チップセラコン	01
C648	UF418100	C. EL. CHP	100uF	6. 3V		チップケミコン	01
C649	US135100	C. CE. CHP	0. 1uF	16V		チップセラコン	01
C650	UF418100	C. EL. CHP	100uF	6. 3V		チップケミコン	01
C651	US135100	C. CE. CHP	0. 1uF	16V		チップセラコン	01
C652	UF418100	C. EL. CHP	100uF	6. 3V		チップケミコン	01
* C653	WP882000	C. CE. CHP	10uF	6. 3V		チップセラコン	
C654-656	US135100	C. CE. CHP	0. 1uF	16V		チップセラコン	01
* C658	WP882000	C. CE. CHP	10uF	6. 3V		チップセラコン	
C659-660	US135100	C. CE. CHP	0. 1uF	16V		チップセラコン	01
* C661	WP882000	C. CE. CHP	10uF	6. 3V		チップセラコン	
C662	US135100	C. CE. CHP	0. 1uF	16V		チップセラコン	01
* C663	WP882000	C. CE. CHP	10uF	6. 3V		チップセラコン	
C664	US063100	C. CE. CHP	1000pF	50V B		チップセラコン	01
C665-669	US135100	C. CE. CHP	0. 1uF	16V		チップセラコン	01
C670	US063100	C. CE. CHP	1000pF	50V B		チップセラコン	01
C671-672	US135100	C. CE. CHP	0. 1uF	16V		チップセラコン	01
C673	US063100	C. CE. CHP	1000pF	50V B		チップセラコン	01
C674-676	US135100	C. CE. CHP	0. 1uF	16V		チップセラコン	01
C677-678	US063100	C. CE. CHP	1000pF	50V B		チップセラコン	01
C679	US135100	C. CE. CHP	0. 1uF	16V		チップセラコン	01
C680-682	UF417470	C. EL. CHP	47uF	6. 3V		チップケミコン	
C683-684	US135100	C. CE. CHP	0. 1uF	16V		チップセラコン	01
C685	US063100	C. CE. CHP	1000pF	50V B		チップセラコン	01
C686	UF418100	C. EL. CHP	100uF	6. 3V		チップケミコン	01
C687-688	US135100	C. CE. CHP	0. 1uF	16V		チップセラコン	01
C697	WJ881200	C. CE. CHP	1uF	16V		チップセラコン	01
C698	UF418100	C. EL. CHP	100uF	6. 3V		チップケミコン	01
C703	US135100	C. CE. CHP	0. 1uF	16V		チップセラコン	01
C705-707	US135100	C. CE. CHP	0. 1uF	16V		チップセラコン	01
* C708	WP882000	C. CE. CHP	10uF	6. 3V		チップセラコン	
C709-714	US063100	C. CE. CHP	1000pF	50V B		チップセラコン	01
* C719-720	WP882000	C. CE. CHP	10uF	6. 3V		チップセラコン	
C721-722	US064100	C. CE. CHP	0. 01uF	50V B		チップセラコン	01
C723-724	US061180	C. CE. CHP	18pF	50V B		チップセラコン	01
C725	UF418100	C. EL. CHP	100uF	6. 3V		チップケミコン	01
C801-802	US135100	C. CE. CHP	0. 1uF	16V		チップセラコン	01

* New Parts * 新規部品

P.C.B. DIGITAL

Ref No.	Part No.	Description	Remarks	Markets	部 品 名	ランク
C803	US064100	C. CE. CHP	0.01uF 50V B		チップセラコン	01
C806-807	US064100	C. CE. CHP	0.01uF 50V B		チップセラコン	01
C808-810	US135100	C. CE. CHP	0.1uF 16V		チップセラコン	01
C817	US063220	C. CE. CHP	2200pF 50V B		チップセラコン	01
C901-909	US064100	C. CE. CHP	0.01uF 50V B		チップセラコン	01
C911	US064100	C. CE. CHP	0.01uF 50V B		チップセラコン	01
* C912	WP882000	C. CE. CHP	10uF 6.3V		チップセラコン	
* D300	WP292300	D1ODE	RB050LA-40TR TP		ダイオード	
* D302	WP292300	D1ODE	RB050LA-40TR TP		ダイオード	
D303	WM180900	D1ODE	FM203-W TE		ダイオード	01
D304	VT332900	D1ODE	1SS355		ダイオード	01
D306-307	VT332900	D1ODE	1SS355		ダイオード	01
D308	VV220700	D1ODE. SHOT	RB501V-40		ショットキーダイオード	01
D309	VT332900	D1ODE	1SS355		ダイオード	01
D312-313	VT332900	D1ODE	1SS355		ダイオード	01
D314	WM180900	D1ODE	FM203-W TE		ダイオード	01
D317	VT332900	D1ODE	1SS355		ダイオード	01
D601-602	VT332900	D1ODE	1SS355		ダイオード	01
D603-605	VV220700	D1ODE. SHOT	RB501V-40		ショットキーダイオード	01
D802	VT332900	D1ODE	1SS355		ダイオード	01
D902-903	VU992300	D1ODE. ZENR	MA8047-H 4.9V		ツェナーダイオード	01
F301-302	WQ151600	SW. POLY	MINISMDC110F/24		ポリスイッチ	03
IC300	X9850A00	IC	BD9870FPS		電源 IC	
IC302	X9850A00	IC	BD9870FPS		電源 IC	
IC303	X8897A00	IC	R1172S331B-E2-F		電源 IC	03
IC304	X9278A00	IC. CPU	M30302FAPFP CPU	boot only	IC CPU	
* IC307	YA514A00	IC	BD5229G-TR		リセット IC	
IC308	X3586B00	IC	TC74VHCT08AFT EL, K		ロジック IC	01
IC311	YA137A00	IC	RP131S501D-E2		電源 IC	03
IC601	X8685A00	IC	AN41010A-VF		ドライバー IC	07
* IC602	YA331B00	IC. CPU. CD	MN6627971YC	MASK ROM	IC CPU CD	
IC604	X9911A00	IC. CPU. USB	MN103SFB5KYAA	MASK ROM	IC CPU	09
IC605	X5693B00	IC	M12L16161A-7TG		メモリ IC 16M	
IC606	X8096A00	IC	R5523N001A-TR-F		電源 IC	03
IC802	X3586B00	IC	TC74VHCT08AFT EL, K		ロジック IC	01
IC803	X9117A00	IC	R1154N033B-TR-F		電源 IC	02
IC901	X3586B00	IC	TC74VHCT08AFT EL, K		ロジック IC	01
JK901	VV881000	CN. DIN	8P CMS5008-0101		丸形ミニチャーコネクタ	05
PN301	V8637500	PIN	L=50 #18		スタイルピン	
Q300	VV556500	TR	2SA1037K Q, R, S		トランジスタ	01
Q601	iB070900	TR	2SB709A P, Q, R, S		トランジスタ	01
Q602	VV556500	TR	2SA1037K Q, R, S		トランジスタ	01
* Q803	WQ780500	FET	MCH6612-TL-E		FET	
* Q804	WR171000	FET	5HP02C-TB-E		FET	
Q805	VV655700	TR. DGT	DTC144EKA		デジタルトランジスタ	01
Q902	VV556400	TR	2SC2412K Q, R, S		トランジスタ	01
Q903	VV655400	TR. DGT	DTC114EKA		デジタルトランジスタ	01
XL300	V8222200	RSNR. CE	10MHz CSTLS10M0		セラミック振動子	01
XL601	WB872100	RSNR. CRYST	16.9344MHz		水晶振動子	03
* XL603	WQ332600	RSNR. CE	12MHz		セラミック発振子	02

* New Parts * 新規部品

P.C.B. OPERATION

Ref No.	Part No.	Description	Remarks	Markets	部 品 名	ランク
*	WQ597000	P. C. B.	OPERATION	J	PCB OPERATION	
*	WQ597100	P. C. B.	OPERATION	U	PCB OPERATION	
*	WQ597200	P. C. B.	OPERATION	TK	PCB OPERATION	
*	WQ597300	P. C. B.	OPERATION	AG	PCB OPERATION	
*	WQ597400	P. C. B.	OPERATION	L	PCB OPERATION	
CB1	LB918030	CN. BS. PIN	3P		ベース付ポスト	01
CB101	VQ045100	CN. BS. PIN	21P		FFCコネクター	02
CB151	VQ047800	CN. BS. PIN	27P		FFCコネクター	02
CB152	VQ047600	CN. BS. PIN	21P		FFCコネクター	02
CB161	WG668100	CN. USB	USB 4P SE		USBコネクター	04
CB162	VB390100	CN. BS. PIN	5P		ベースピン	01
CB201	VG879900	CN. BS. PIN	2P		ベースピン	01
CB202-203	WN103000	CLIP. FUSE	TP00351-31		ヒューズクリップ	01
CB204	VG879900	CN. BS. PIN	2P		ベースピン	01
CB205	VP245700	CN. BS. PIN	VA 2P SE		ベースツキポスト	01
CB206	LB918030	CN. BS. PIN	3P		ベース付ポスト	01
C2	WE102900	C. PP	0. 01uF 100V		PPコン	
C4	UR267470	C. EL	47uF 50V		ケミコン	01
C5-6	WE102900	C. PP	0. 01uF 100V		PPコン	
C8	US063100	C. CE. CHP	1000pF 50V B		チップセラコン	01
C9	UR239100	C. EL	1000uF 16V		ケミコン	
C10	WE102900	C. PP	0. 01uF 100V		PPコン	
C11	UR266330	C. EL	3. 3uF 50V		ケミコン	
C12	WE102900	C. PP	0. 01uF 100V		PPコン	
C13-14	UU238100	C. EL	100uF 16V		ケミコン	01
* C15-16	WQ691900	C. EL	2200uF 35V		ケミコン	
C18	US065100	C. CE. CHP	0. 1uF 50V B		チップセラコン	01
C21	WE102900	C. PP	0. 01uF 100V		PPコン	
C22-25	UU237100	C. EL	10uF 16V		ケミコン FW	01
C27-28	WE101400	C. PP	560pF 100V		PPコン	01
C29-31	UU238100	C. EL	100uF 16V		ケミコン	01
C32	US135330	C. CE. CHP	0. 33uF 16V		チップセラコン	01
C33-34	WE102700	C. PP	6800pF 100V		PPコン	01
C35-38	WE101300	C. PP	470pF 100V		PPコン	01
C39	UU237100	C. EL	10uF 16V		ケミコン FW	01
C40	US135330	C. CE. CHP	0. 33uF 16V		チップセラコン	01
C42	UU238100	C. EL	100uF 16V		ケミコン	01
C44	UU238100	C. EL	100uF 16V		ケミコン	01
* C53	WQ331800	C. EL	100uF 50V		ケミコン	
* C56	WQ331800	C. EL	100uF 50V		ケミコン	
C57-58	WE101700	C. PP	1000pF 100V		PPコン	
C60-61	US065100	C. CE. CHP	0. 1uF 50V B		チップセラコン	01
C101-102	US064100	C. CE. CHP	0. 01uF 50V B		チップセラコン	01
C103	US135100	C. CE. CHP	0. 1uF 16V		チップセラコン	01
C104	US062100	C. CE. CHP	100pF 50V B		チップセラコン	01
C105	US135100	C. CE. CHP	0. 1uF 16V		チップセラコン	01
C106	US062100	C. CE. CHP	100pF 50V B		チップセラコン	01
C107	WG780700	C. EL	47uF 16V		ケミコン	01
C108	US062100	C. CE. CHP	100pF 50V B		チップセラコン	01
C109	US065100	C. CE. CHP	0. 1uF 50V B		チップセラコン	01
C110-112	US064100	C. CE. CHP	0. 01uF 50V B		チップセラコン	01
C113	US126100	C. CE. CHP	1uF 10V		チップセラコン	01
C114	US064100	C. CE. CHP	0. 01uF 50V B		チップセラコン	01
C116	US065100	C. CE. CHP	0. 1uF 50V B		チップセラコン	01
C118-120	US135100	C. CE. CHP	0. 1uF 16V		チップセラコン	01
C121	WG780700	C. EL	47uF 16V		ケミコン	01
C122	US135100	C. CE. CHP	0. 1uF 16V		チップセラコン	01

* New Parts * 新規部品

P.C.B. OPERATION

Ref No.	Part No.	Description	Remarks	Markets	部 品 名	ランク
C123	US064100	C. CE. CHP	0.01uF 50V B		チップセラコン	01
C151	WG782400	C. EL	22uF 50V		ケミコン	
C152-153	WG780700	C. EL	47uF 16V		ケミコン	01
C162	US064100	C. CE. CHP	0.01uF 50V B		チップセラコン	01
C201-203	V6185300	C. CE. SAFTY	0.01uF 275V		規格認定コンデンサ	01
C204-207	WN165300	C. PP	0.01uF 100V		PPコン	01
C208	UR278220	C. EL	220uF 63V		ケミコン	
C209	WN165300	C. PP	0.01uF 100V		PPコン	01
C210	UU259470	C. EL	4700uF 35V		ケミコン	
C211	UU259220	C. EL	2200uF 35V		ケミコン	03
C212-213	WE102900	C. PP	0.01uF 100V		PPコン	
C215	UR278220	C. EL	220uF 63V		ケミコン	
C216	US064100	C. CE. CHP	0.01uF 50V B		チップセラコン	01
C217-219	UR267220	C. EL	22uF 50V		ケミコン	01
C220-222	US064100	C. CE. CHP	0.01uF 50V B		チップセラコン	01
D1-2	VV307700	DIODE	1N4002S		ダイオード	01
D3-4	VT332900	DIODE	1SS355		ダイオード	01
D5	VU991500	DIODE. ZENR	MA8039-H 4V		ツェナーダイオード	01
D6	WK870400	DIODE. BRG	D4SBN20-7101 4A		ダイオードブリッジ	04
D7	VV220700	DIODE. SHOT	RB501V-40		ショットキーダイオード	01
D8	VU993400	DIODE. ZENR	MA8062-M 6.2V		ツェナーダイオード	01
D9-10	VU996600	DIODE. ZENR	MA8130-M 13V		ツェナーダイオード	01
D12	VV220700	DIODE. SHOT	RB501V-40		ショットキーダイオード	01
D14-15	VV220700	DIODE. SHOT	RB501V-40		ショットキーダイオード	01
D101	VU993000	DIODE. ZENR	MA8056-M 5.6V		ツェナーダイオード	01
D102	WA467800	LED	SEL6910A-CD		LED	01
D104	WP947300	LED	ORANGE/GREEN		2色LED	
D201	VU993000	DIODE. ZENR	MA8056-M 5.6V		ツェナーダイオード	01
D204-205	VV307700	DIODE	1N4002S		ダイオード	01
D206	VU999900	DIODE. ZENR	MA8300-M 30V		ツェナーダイオード	01
D211-214	VV307700	DIODE	1N4002S		ダイオード	01
D215	WH487300	DIODE. BRG	RS203M 2.0A 200V		ダイオードブリッジ	02
F201	KB001770	FUSE	T1A 250V		ヒューズ	02
IC1	X7947A00	IC	DSD1791DBR		D/Aコンバーター	07
IC2	XV763A00	IC	OP275GSR OP AMP		アンプIC	05
IC4	X9430A00	IC	PQ033ES3MXP		電源IC	03
IC802	X2656A00	IC	TC7SH08F AND		ロジックIC	01
JY11	WK849100	BUS. BAR. 3P	3P		バスバー3P	04
PJ1-2	WQ070200	JACK. PIN	1P BLACK YKC21-391		ピンジャック	03
PN1	V8637500	PIN	L=50 #18		スタイルピン	
PN151	V8637500	PIN	L=50 #18		スタイルピン	
PN161	V8637500	PIN	L=50 #18		スタイルピン	
PN226	V8637500	PIN	L=50 #18		スタイルピン	
Q1	VV556500	TR	2SA1037K Q, R, S		トランジスタ	01
Q2-4	VR043100	FET	2SK208 Y		チップFET	01
Q5-6	WF691400	TR	2SD2014		トランジスタ	03
Q7	WF691300	TR	2SB1257		トランジスタ	03
Q14-17	VZ725900	TR	2SD1938F S, T		トランジスタ	01
Q21	WH628700	FET	RSR025P03TL		FET	01
Q22	VV655700	TR. DGT	DTC144EKA		デジタルトランジスタ	01
Q23	VV556500	TR	2SA1037K Q, R, S		トランジスタ	01
Q24	VV655700	TR. DGT	DTC144EKA		デジタルトランジスタ	01
Q25	WF764200	FET	RSR025N03		FET	
Q101-102	VV556400	TR	2SC2412K Q, R, S		トランジスタ	01
Q103-105	VV655700	TR. DGT	DTC144EKA		デジタルトランジスタ	01
Q106-107	VV655300	TR. DGT	DTA144EKA		デジタルトランジスタ	01
Q201	VP872700	TR	2SC4488 S, T		トランジスタ	01

* New Parts * 新規部品

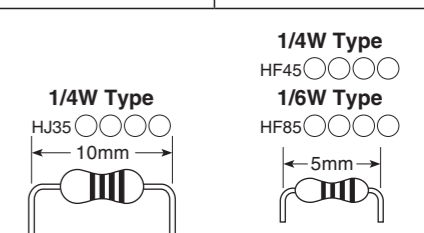
P.C.B. OPERATION

Carbon Resistors

Ref No.	Part No.	Description	Remarks	Markets	部 品 名	ランク
R12	V8071600	R. MTL. OXD	1K Ω	1W	金属被膜抵抗	01
R20	HL006100	R. MTL. OXD	1K Ω	1/2W	酸化金属被膜抵抗	
R21-22	HL004100	R. MTL. OXD	10 Ω	1/2W	酸化金属被膜抵抗	
R27-29	HL005100	R. MTL. OXD	100 Ω	1/2W	酸化金属被膜抵抗	
R38	V8072300	R. MTL. OXD	10K Ω	1W	酸化金属被膜抵抗	
R39	V8071300	R. MTL. FLM	470 Ω	1W	金属被膜抵抗	
R54-55	V8073000	R. MTL. OXD	100K Ω	1W	酸化金属被膜抵抗	
R58	WA621700	R. MTL. FLM	270 Ω	1W	金属被膜抵抗	
R61	WA621700	R. MTL. FLM	270 Ω	1W	金属被膜抵抗	
R64	WA621700	R. MTL. FLM	270 Ω	1W	金属被膜抵抗	
R67	WA621700	R. MTL. FLM	270 Ω	1W	金属被膜抵抗	
* R68-69	WQ835800	R. MTL. OXD	100 Ω	1W	酸化金属被膜抵抗	
R201-202	HV755100	R. CAR. FP	100 Ω	1/4W	不燃化カーボン抵抗	01
R203	HV753390	R. CAR. FP	3.9 Ω	1/4W	不燃化カーボン抵抗	01
R203	HV753560	R. CAR. FP	5.6 Ω	1/4W	不燃化カーボン抵抗	01
R204	HV753330	R. CAR. FP	3.3 Ω	1/4W	不燃化カーボン抵抗	01
R204	HV753560	R. CAR. FP	5.6 Ω	1/4W	不燃化カーボン抵抗	01
R204	HV753470	R. CAR. FP	4.7 Ω	1/4W	不燃化カーボン抵抗	01
R205	HV756470	R. CAR. FP	4.7K Ω	1/4W	不燃化カーボン抵抗	01
R206	HV755100	R. CAR. FP	100 Ω	1/4W	不燃化カーボン抵抗	01
R210	HV753470	R. CAR. FP	4.7 Ω	1/4W	不燃化カーボン抵抗	01
R211-212	V8072500	R. MTL. OXD	22K Ω	1W	酸化金属被膜抵抗	01
SW101-102	WD483100	SW. TACT	SKRGAAD010		タクト SW	01
SW105-107	WD483100	SW. TACT	SKRGAAD010		タクト SW	01
SW201	V8377400	SW. POWER	SY16-52-4		パワースイッチ	
SW203	WC906700	SW. SLIDE	SDKPA40300	L	スライドSW	06
* T201	X9928A00	TRANS. PWR	JUC CD-S700ML	JU	電源トランス	
* T201	X9929A00	TRANS. PWR	TKAGBL CD-S700ML	TKAGL	電源トランス	
TH201-202	VV216100	PROTECTOR	RXE050 0.50A 60V		ポリスイッチ	03
TH203	VU847300	POSISTOR	RUE185 1.85A 30V		ポリスイッチ	03
TH204	VV457600	SW. POLY	RUE090 0.90A 30V		ポリスイッチ	02
U101	WK918500	L. DTCT	GP1UE271RKVF		リモコン受光ユニット	03
V101	WK835500	FL. DSPLY	13-ST-81GINK		蛍光表示管	11
	WM164600	SHEET			シートFL	01
	V6203300	SPACER			スペーサーFL	01

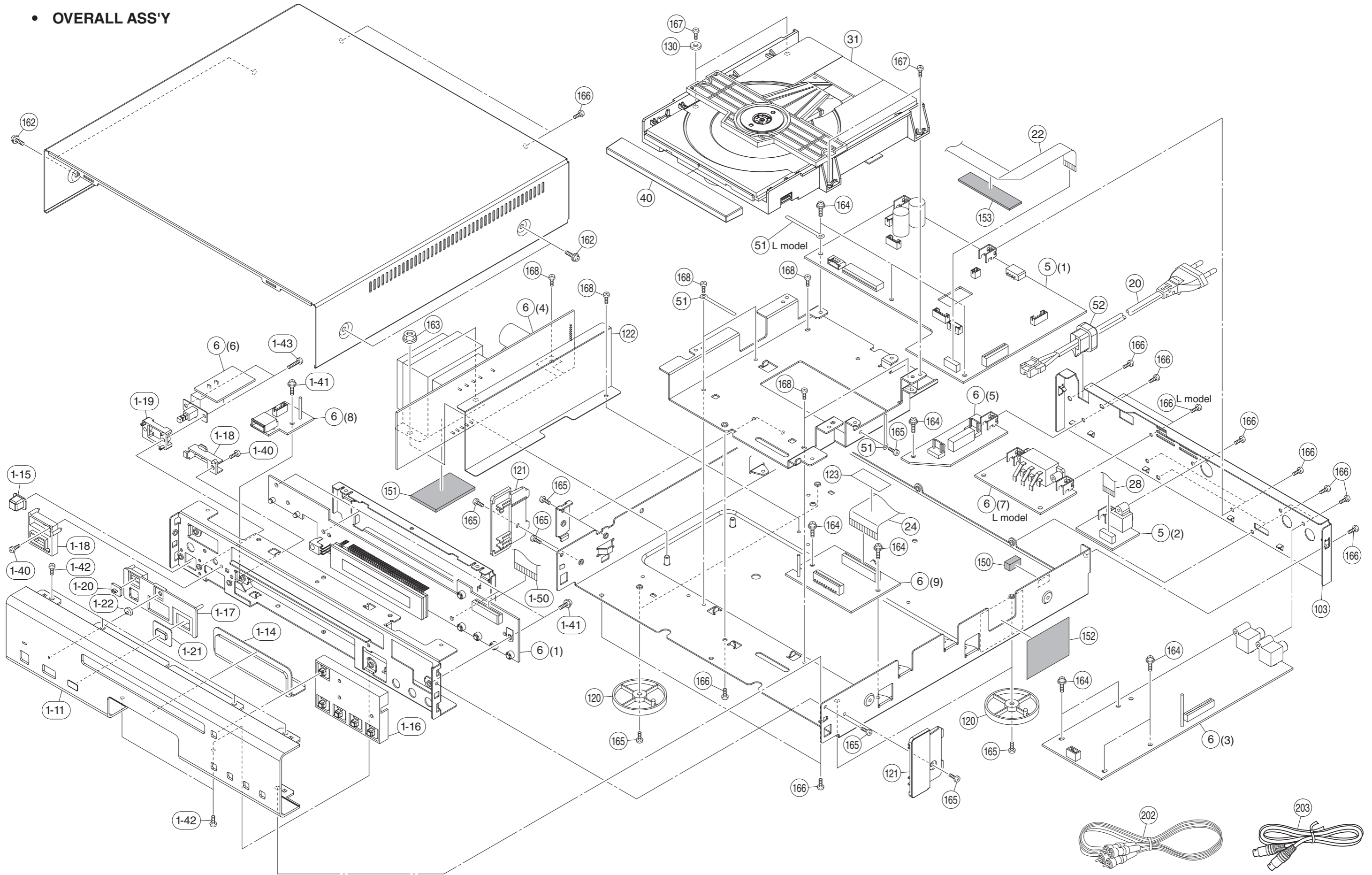
* New Parts * 新規部品

Value	1/4W Type Part No.	1/6W Type Part No.	Value	1/4W Type Part No.	1/6W Type Part No.
1.0 Ω	HJ35 3100	HF85 3100	11 kΩ	HF45 7110	HF45 7110
1.8 Ω	HJ35 3180	*	12 kΩ	HJ35 7120	HF85 7120
2.2 Ω	HJ35 3220	HF85 3220	13 kΩ	HF45 7130	HF45 7130
3.3 Ω	HJ35 3330	HF85 3330	15 kΩ	HF45 7150	HF45 7150
4.7 Ω	HJ35 3470	HF85 3470	18 kΩ	HF45 7180	HF45 7180
5.6 Ω	HJ35 3560	HF85 3560	22 kΩ	HF45 7220	HF45 7220
10 Ω	HF45 4100	HF45 4100	24 kΩ	HF45 7240	HF45 7240
15 Ω	HJ35 4150	HF85 4150	27 kΩ	HJ35 7270	HF85 7270
22 Ω	HF45 4220	HF45 4220	30 kΩ	HF45 7300	HF45 7300
27 Ω	HJ35 4270	HF85 4270	33 kΩ	HF45 7330	HF45 7330
33 Ω	HF45 4330	HF45 4330	36 kΩ	HF45 7360	HF45 7360
39 Ω	HJ35 4470	HF85 4390	39 kΩ	HF45 7390	HF45 7390
47 Ω	HF45 4470	HF45 4470	47 kΩ	HF45 7470	HF45 7470
56 Ω	HF45 4560	HF45 4560	51 kΩ	HF45 7510	HF45 7510
68 Ω	HF45 4680	HF45 4680	56 kΩ	HF45 7560	HF45 7560
75 Ω	HF45 4750	HF45 4750	62 kΩ	HF45 7620	HF45 7620
82 Ω	HF45 4820	HF45 4820	68 kΩ	HF45 7680	HF45 7680
91 Ω	HF45 4910	HF45 4910	82 kΩ	HF45 7820	HF45 7820
100 Ω	HF45 5100	HF45 5100	91 kΩ	HF45 7910	HF45 7910
110 Ω	HJ35 5110	HF85 5110	100 kΩ	HF45 8100	HF45 8100
120 Ω	HF45 5120	HF45 5120	110 kΩ	HF45 8110	HF45 8110
150 Ω	HF45 5150	HF45 5150	120 kΩ	HF45 8120	HF45 8120
160 Ω	HJ35 5160	*	150 kΩ	HF45 8150	HF45 8150
180 Ω	HF45 5180	HF45 5180	180 kΩ	HF45 8180	HF45 8180
200 Ω	HF45 5200	HF45 5200	220 kΩ	HJ35 8220	HF85 8220
220 Ω	HF45 5220	HF45 5220	270 kΩ	HF45 8270	HF45 8270
270 Ω	HF45 5270	HF45 5270	300 kΩ	HF45 8300	HF45 8300
330 Ω	HF45 5330	HF45 5330	330 kΩ	HF45 8330	HF45 8330
390 Ω	HF45 5390	HF45 5390	390 kΩ	HJ35 8390	HF85 8390
430 Ω	HF45 5430	HF45 5430	470 kΩ	HF45 8470	HF45 8470
470 Ω	HF45 5470	HF45 5470	560 kΩ	HJ35 8560	HF85 8560
510 Ω	HF45 5510	HF45 5510	680 kΩ	HJ35 8680	HF85 8680
560 Ω	HF45 5560	HF45 5560	820 kΩ	HJ35 8820	HF85 8820
680 Ω	HF45 5680	HF45 5680	1.0 MΩ	HF45 9100	HF45 9100
820 Ω	HF45 5820	HF45 5820	1.2 MΩ	HJ35 9120	*
910 Ω	HF45 5910	HF45 5910	1.5 MΩ	HJ35 9150	HF85 9150
1.0 k	HF45 6100	HF45 6100	1.8 MΩ	HJ35 9180	HF85 9180
1.2 kΩ	HF45 6120	HF45 6120	2.2 MΩ	HJ35 9220	HF85 9220
1.5 kΩ	HF45 6150	HF45 6150	3.3 MΩ	HJ35 9330	HF85 9330
1.8 kΩ	HF45 6180	HF45 6180	3.9 MΩ	HJ35 9390	*
2.0 kΩ	HJ35 6200	HF85 6200	4.7 MΩ	HJ35 9470	HF85 9470
2.2 kΩ	HF45 6220	HF45 6220			
2.4 kΩ	HJ35 6240	HF85 6240			
2.7 kΩ	HF45 6270	HF45 6270			
3.0 kΩ	HF45 6300	HF45 6300			
3.3 kΩ	HF45 6330	HF45 6330			
3.6 kΩ	HJ35 6360	HF85 6360			
3.9 kΩ	HF45 6390	HF45 6390			
4.7 kΩ	HF45 6470	HF45 6470			
5.1 kΩ	HF45 6510	HF45 6510			
5.6 kΩ	HF45 6560	HF45 6560			
6.8 kΩ	HF45 6680	HF45 6680			
8.2 kΩ	HF45 6820	HF45 6820			
9.1 kΩ	HF45 6910	HF45 6910			
10 kΩ	HF45 7100	HF45 7100			



* : Not available

• OVERALL ASS'Y



Ref No.	Part No.	Description	Remarks	Markets	部 品 名	ランク
*	1-11	WQ133500	FRONT PANEL	BL	フロントパネル	
*	1-11	WQ133100	FRONT PANEL	SI	フロントパネル	
*	1-14	WQ147300	WINDOW		ウィンドウ	
*	1-15	WQ147800	BUTTON	POWER	ボタン	
*	1-15	WQ147600	BUTTON	POWER	ボタン	
*	1-16	WQ148300	BUTTON	5P	ボタン	
*	1-16	WQ148200	BUTTON	5P	ボタン	
*	1-17	WQ149600	SUPPORT LENS		サポート レンズ	
*	1-18	WQ149900	SUPPORT USB		サポート USB	
*	1-19	WQ149800	SUPPORT PSW		サポート PSW	
*	1-20	WQ149500	LENS POWER		レンズ パワー	
*	1-21	WQ149400	LENS RC	BL	レンズ RC	
*	1-21	WQ149300	LENS RC	SI	レンズ RC	
*	1-22	WP080600	LENS LED		レンズLED	01
*	1-40	WE936300	BIND HEAD B-TIGHT SCREW	3x6	MFZN2W3	01
*	1-41	WG959600	PW HEAD TAPPING B-T. SCREW	3x6-8	MFZN2W3	01
*	1-42	WE774100	BIND HEAD BONDING B-T. SCREW	3x8	MFZN2B3	01
*	1-43	WE998100	BIND HEAD B-TIGHT SCREW	3x12	MFZN2B3	01
*	1-50	WQ692000	FLEXIBLE FLAT CABLE	21P 80mm P=1.25	カード電線	
*	5	WQ596900	P. C. B. ASS'Y	DIGITAL	PCB DIGITAL	
*	6	WQ597000	P. C. B. ASS'Y	OPERATION	PCB OPERATION	
*	6	WQ597100	P. C. B. ASS'Y	OPERATION	PCB OPERATION	
*	6	WQ597200	P. C. B. ASS'Y	OPERATION	PCB OPERATION	
*	6	WQ597300	P. C. B. ASS'Y	OPERATION	PCB OPERATION	
*	6	WQ597400	P. C. B. ASS'Y	OPERATION	PCB OPERATION	
△	20	WB211800	POWER CABLE	1.8m	電源コード	07
△	20	WB120500	POWER CABLE	2m	電源コード	
△	20	WB120600	POWER CABLE	2m	電源コード	
△	20	WC753000	POWER CABLE	2m	電源コード	
△	20	WC743700	POWER CABLE	2m	電源コード	
△	20	WB212300	POWER CABLE	2m	電源コード	
*	22	WK899500	FLEXIBLE FLAT CABLE	24P 240mm P=0.5	カード電線	01
*	24	WQ096800	FLEXIBLE FLAT CABLE	27P 250mm P=1.25	カード電線	04
*	28	WQ849600	FLEXIBLE FLAT CABLE	10P 90mm P=1	カード電線	
*	31	WQ467000	LOADER MECHANISM ASS'Y	8829C+313AAM	ローダーメカASSY	
*	40	WQ148500	LID	BL	リッド	
*	40	WQ148400	LID	SI	リッド	
*	51	WD397500	BINDING TIE	MSF-085	束線止め	01
*	52	V2438700	CORD STOPPER	10P1	コードストッパー	02
*	103	WQ146300	REAR PANEL	J	リヤパネル	
*	103	WQ146400	REAR PANEL	U	リヤパネル	
*	103	WQ146500	REAR PANEL	T	リヤパネル	
*	103	WQ146600	REAR PANEL	K	リヤパネル	
*	103	WQ146700	REAR PANEL	A	リヤパネル	
*	103	WQ146900	REAR PANEL	G	リヤパネル	
*	103	WQ146800	REAR PANEL	L	リヤパネル	
*	120	WQ150300	LEG	D42/H7 Black	レッグ	
*	121	WQ148700	PLATE SIDE	BL	プレートサイド	
*	121	WQ148600	PLATE SIDE	SI	プレートサイド	
*	122	WQ150100	BARRIER POWER		バリア POWER	
*	123	WQ757600	BARRIER FFC		バリア FFC	
*	130	WNO75900	WASHER LID B		ワッシャーLID B	01
*	150	VQ390100	DAMPER	8x8x15	ダンパー	01

* New Parts * 新規部品

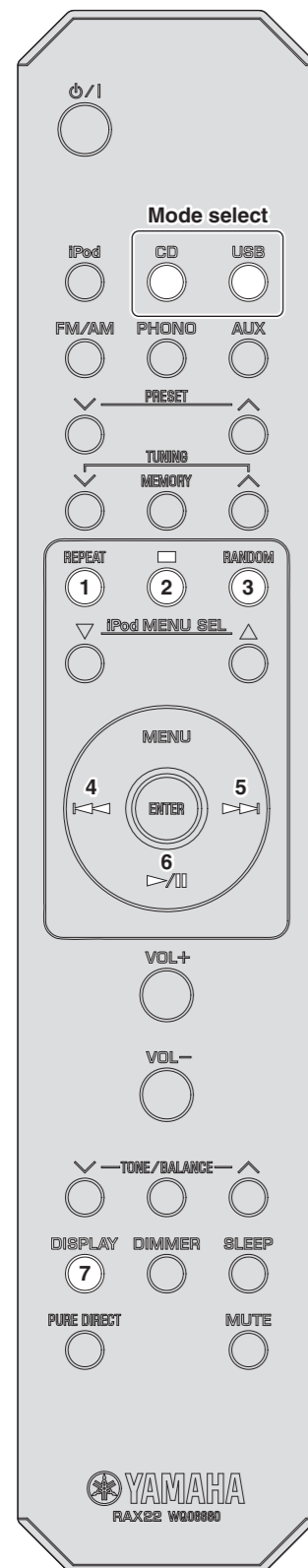
Ref No.	Part No.	Description	Remarks	Markets	部 品 名	ランク
*	151	WQ606800	DAMPER	25x45x2	ダンパー	01
*	152	WR154600	DAMPER CARD	40x55	ダンパー カード	
*	153	WN440100	DAMPER	15x80 t=2	ダンパー	01
*	162	WE977900	PW HEAD B-TIGHT SCREW	3x6-8 MFZN2B3	PWヘッドBタイトネジ	01
*	162	WG959600	PW HEAD TAPPING B-T. SCREW	3x6-8 MFZN2W3	PWヘッドBタイトネジ	01
*	163	WF567000	SPECIAL NUT	M4	特殊ナット	01
*	164	WG959600	PW HEAD TAPPING B-T. SCREW	3x6-8 MFZN2W3	PWヘッドBタイトネジ	01
*	165	WE936300	BIND HEAD B-TIGHT SCREW	3x6 MFZN2W3	バインドBタイトネジ	01
*	166	WE774100	BIND HEAD BONDING B-T. SCREW	3x8 MFZN2B3	ボンディングBタイトネジ	01
*	167	WE774300	BIND HEAD B-TIGHT SCREW	3x8 MFZN2W3	バインドBタイトネジ	01
*	168	WF304200	BIND HEAD S-TIGHT SCREW	3x5 MFZN2B3	バインドSタイトネジ	01
*	202	VY952200	AUDIO PIN CABLE	2P 1m 1pc	ステレオピンケーブル	04
*	203	WQ579900	MINI PIN CABLE	8P 0.6m 1pc	ミニピンケーブル	
*		AAX88050	SERVICE TOOL		サービス用部品	
*			RS232C CONVERSION ADAPTER	with CABLE (8P, P=1.0)	RS 2 3 2 C変換アダプタ	20
			CDS2000ADAPTER			

* New Parts * 新規部品

■ REMOTE CONTROL

● Receiving Code / 受信コード

The remote control of the MCS-1330.



CD/USB mode

Function		Code	
1	REPEAT	78	0C
2	STOP	78	01
3	RANDOM	78	07
4	REVERSE	7F	1B
5	FORWARD	7F	1C
6	PLAY/PAUSE	7F	1E
7	DISPLAY	78	0A

CD-1330

